

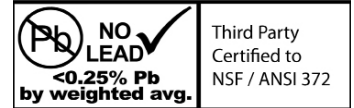
# 0821(WD)PNL SERIES NO LEAD BRASS BALL VALVE (PEX)

## SPECIFICATION:

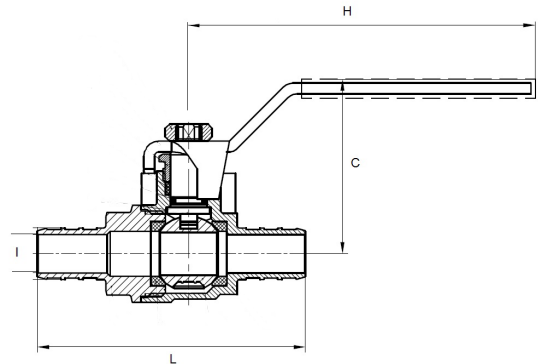
- PEX end conform to ASTM F-1807
- Max Pressure Rating: 400 PSI CWP
- CWP - Cold Working Pressure, is an indication of the pressure rating for valves at a temperature of up to +100°F (37°C)
- Max Temperature Rating: 203°F (95°C)
- Forged no lead brass body
- Available with integral drain port to allow system draining
- Blow-out proof stem

## CERTIFICATION:

- NSF/ANSI Standard 61 & 372 Certified
- cUPC Standard IGC 157 Certified



MATERIAL LIST	
Part Name	Material
Bonnet	No Lead Brass
Seat	PTFE
Ball	No Lead Brass Chrome Plated
Body	No Lead Brass
Stem	No Lead Brass
O-Ring	EPDM
Gland Packing	PTFE
Gland Nut	No Lead Brass
Handle + Sleeve	Steel + PVC
Nut	Steel



DIMENSIONS										
Part No.	Description	I		H		C		L		Weight grams
		inches	mm	inches	mm	inches	mm	inches	mm	
0821P-03NL	3/8"	0.39	10.00	3.27	83.00	1.52	38.50	2.54	64.50	110
0821P-05NL	1/2"	0.39	10.00	3.27	83.00	1.52	38.50	2.44	62.00	120
0821P-07NL	3/4"	0.59	15.00	3.64	92.50	1.69	43.00	2.72	69.00	197
0821P-10NL	1"	0.79	20.00	3.64	92.50	1.83	46.50	3.27	83.00	277
0821WDP-05NL	1/2"	0.39	10.00	3.15	80.00	1.57	39.75	2.77	70.30	140
0821WDP-07NL	3/4"	0.59	15.00	3.62	92.00	1.69	43.00	3.06	77.60	227

**BOSHART**  
INDUSTRIES

25 Whaley Avenue, PO Box 310, Milverton, ON CANADA N0K 1M0  
Tel: 800-561-3164

[boshart.com](http://boshart.com) ♦ [blog.boshart.com](http://blog.boshart.com)