

SSH304SE & SSH316SE SERIES 304 & 316 STAINLESS STEEL 90° STREET ELBOW MSS SP114 - CLASS 150



SPECIFICATION:

- Dimensions conform to MSS SP114
- Materials conform to ASTM A351
- Threads conform to ANSI/ASME B1.20.1

CERTIFICATION:

- CRN Canadian Registration Number Listed
- NSF/ANSI Standard 372 Certified



MATERIAL LIST	
Name	Percent of Composition
304 Stainless Steel (ASTM A351)	
Iron (FE)	64.0 - 72.0
Carbon (C)	0.08 max
Silicone (Si)	2.00 max
Manganese (Mn)	1.50 max
Phosphorus (P)	0.04 max
Sulfur (S)	0.04 max
Chromium (Cr)	18.0 - 21.0
Nickel (Ni)	8.0 - 11.0
Molybdenum (Mo)	0.05 max

PRESSURE & TEMPERATURE RATING	
Temperature °F (°C)	Class 150, PSIG
-20 to 150 (-29 to 66)	300
200 (93)	265
250 (121)	225
300 (149)	185
350 (177)	150

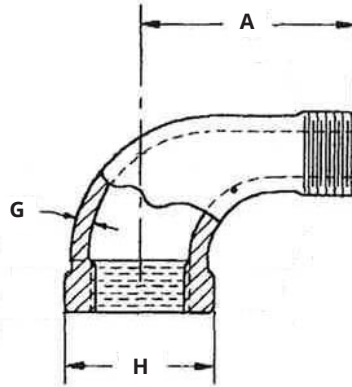
MATERIAL LIST	
Name	Percent of Composition
316 Stainless Steel (ASTM A351)	
Iron (FE)	61.845 - 72.0
Carbon (C)	0.08 max
Silicone (Si)	1.00 max
Manganese (Mn)	2.00 max
Phosphorus (P)	0.045 max
Sulfur (S)	0.03 max
Chromium (Cr)	16.0 - 18.0
Nickel (Ni)	10.0 - 14.0
Molybdenum (Mo)	2.0 - 3.0



25 Whaley Avenue, PO Box 310, Milverton, ON CANADA N0K 1M0
Tel: 800-561-3164

boshart.com ♦ blog.boshart.com

SSH304SE & SSH316SE SERIES 304 & 316 STAINLESS STEEL 90° STREET ELBOW MSS SP114 - CLASS 150



DIMENSIONS									
Part No.	Part No.	Size	H		A		G		Weight
304 S.S.	316 S.S.	MPT x FPT	inches	mm	inches	mm	inches	mm	grams
SSH304SE-01	SSH316SE-01	1/8"	0.75	19.05	1.06	26.92	0.09	2.29	20
SSH304SE-02	SSH316SE-02	1/4"	0.84	21.34	1.18	29.97	0.09	2.29	40
SSH304SE-03	SSH316SE-03	3/8"	1.01	25.65	1.43	36.32	0.10	2.54	60
SSH304SE-05	SSH316SE-05	1/2"	1.20	30.48	1.62	41.15	0.10	2.54	100
SSH304SE-07	SSH316SE-07	3/4"	1.46	37.08	1.87	47.50	0.12	3.05	160
SSH304SE-10	SSH316SE-10	1"	1.77	44.96	2.12	53.85	0.13	3.30	240
SSH304SE-12	SSH316SE-12	1-1/4"	2.15	54.61	2.50	63.50	0.14	3.56	420
SSH304SE-15	SSH316SE-15	1-1/2"	2.43	61.72	2.75	69.85	0.15	3.81	540
SSH304SE-20	SSH316SE-20	2"	2.96	75.18	3.25	82.55	0.17	4.32	920
SSH304SE-25	SSH316SE-25	2-1/2"	3.31	84.07	3.87	98.30	0.21	5.33	1420
SSH304SE-30	SSH316SE-30	3"	4.00	101.60	4.50	114.30	0.23	5.84	2280
SSH304SE-40	SSH316SE-40	4"	5.06	128.52	5.68	144.27	0.26	6.60	2980



25 Whaley Avenue, PO Box 310, Milverton, ON CANADA N0K 1M0
Tel: 800-561-3164

boshart.com ♦ blog.boshart.com