

CLASS 300 BLACK & GALVANIZED MALLEABLE IRON FITTINGS

MATERIAL SPECIFICATIONS:

- ANSI/ASTM A197 Cupola Malleable Iron Castings
- ASTM A153 Zinc Coating

DIMENSIONAL SPECIFICATIONS:

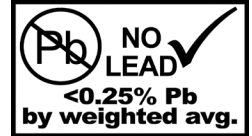
- ANSI/ASME B16.3 Threaded Fittings
- ANSI/ASME B16.14 Threaded Plugs, Bushings & Locknuts
- ANSI/ASME B16.39 Threaded Unions

THREAD SPECIFICATIONS:

- ANSI/ASME B1.20.1 Pipe Threads

CERTIFICATION:

- UL Manufactured
- FM Standard 1920
- NSF/ANSI 61 & 372 Certified (Galvanized series only)
- CRNs are available



MATERIAL LIST	
Name	Percent of Composition
Cupola Malleable Iron	
Iron (Fe)	≥ 94.0
Carbon (C)	2.9-3.1
Silicone (Si)	1.35-1.6
Manganese (Mn)	0.4-0.6
Phosphorus (P)	< 0.1
Sulfur (S)	< 0.2



BOSHART
INDUSTRIES

© 2020 Boshart Industries Inc. All Rights Reserved.

25 Whaley Avenue, PO Box 310, Milverton, ON CANADA N0K 1M0
Tel: 800-561-3164

boshart.com ♦ blog.boshart.com

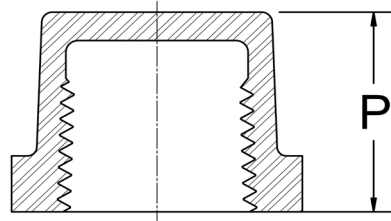
BII-MIF300-0722(783M)

CLASS 300 BLACK / GALVANIZED MALLEABLE IRON FITTINGS

Cap - FPT



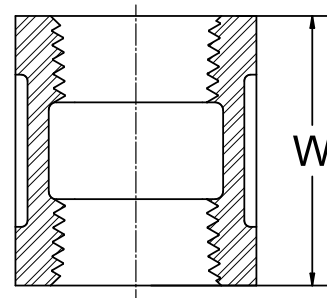
Black	Galvanized	Size	P	
			Inches	mm
BL3CA-02	G3CA-02	1/4"	0.78	19.8
BL3CA-03	G3CA-03	3/8"	0.83	21.1
BL3CA-05	G3CA-05	1/2"	0.98	24.9
BL3CA-07	G3CA-07	3/4"	1.08	27.4
BL3CA-10	G3CA-10	1"	1.26	32
BL3CA-12	G3CA-12	1-1/4"	1.38	35.1
BL3CA-15	G3CA-15	1-1/2"	1.43	36.3
BL3CA-20	G3CA-20	2"	1.68	42.7
BL3CA-25	G3CA-25	2-1/2"	2.06	52.3
BL3CA-30	G3CA-30	3"	2.17	55.1
BL3CA-40	N/A	4"	2.38	60.5



Coupling - FPT



Black	Galvanized	Size	W	
			Inches	mm
BL3C-02	G3C-02	1/4"	1.37	35.1
BL3C-03	G3C-03	3/8"	1.62	41.4
BL3C-05	G3C-05	1/2"	1.87	47.8
BL3C-07	G3C-07	3/4"	2.12	54.1
BL3C-10	G3C-10	1"	2.37	60.5
BL3C-12	G3C-12	1-1/4"	2.87	73.2
BL3C-15	G3C-15	1-1/2"	2.87	73.2
BL3C-20	G3C-20	2"	3.62	92.2
BL3C-25	G3C-25	2-1/2"	4.12	104.9
BL3C-30	G3C-30	3"	4.12	104.9
BL3C-40	G3C-40	4"	4.61	117



BOSHART
INDUSTRIES

© 2020 Boshart Industries Inc. All Rights Reserved.

25 Whaley Avenue, PO Box 310, Milverton, ON CANADA N0K 1M0
Tel: 800-561-3164

boshart.com ♦ blog.boshart.com

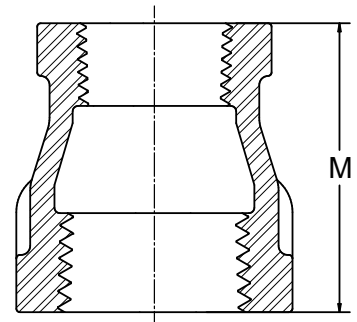
BII-MIF300-0722(783M)

CLASS 300 BLACK / GALVANIZED MALLEABLE IRON FITTINGS

Reducing Coupling - FPT

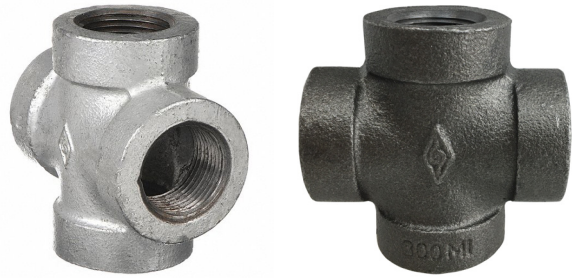


Black	Galvanized	Size	M	
			Inches	mm
BL3RC-0302	G3RC-0302	3/8" x 1/4"	1.44	36.6
BL3RC-0502	G3RC-0502	1/2" x 1/4"	1.69	42.9
BL3RC-0503	G3RC-0503	1/2" x 3/8"	1.69	42.9
BL3RC-0702	G3RC-0702	3/4" x 1/4"	1.75	44.5
BL3RC-0703	G3RC-0703	3/4" x 3/8"	1.75	44.5
BL3RC-0705	G3RC-0705	3/4" x 1/2"	1.75	44.5
BL3RC-1002	N/A	1" x 1/4"	2.00	50.8
BL3RC-1003	N/A	1" x 3/8"	2.00	50.8
BL3RC-1005	G3RC-1005	1" x 1/2"	2.00	50.8
BL3RC-1007	G3RC-1007	1" x 3/4"	2.00	50.8
BL3RC-1205	G3RC-1205	1-1/4" x 1/2"	2.38	60.5
BL3RC-1207	G3RC-1207	1-1/4" x 3/4"	2.38	60.5
BL3RC-1210	G3RC-1210	1-1/4" x 1"	2.38	60.5
BL3RC-1505	G3RC-1505	1-1/2" x 1/2"	2.69	68.3
BL3RC-1507	G3RC-1507	1-1/2" x 3/4"	2.69	68.3
BL3RC-1510	G3RC-1510	1-1/2" x 1"	2.69	68.3
BL3RC-1512	G3RC-1512	1-1/2" x 1-1/4"	2.69	68.3
BL3RC-2005	G3RC-2005	2" x 1/2"	3.19	81.0
BL3RC-2007	G3RC-2007	2" x 3/4"	3.19	81.0
BL3RC-2010	G3RC-2010	2" x 1"	3.19	81.0
BL3RC-2012	G3RC-2012	2" x 1-1/4"	3.19	81.0
BL3RC-2015	G3RC-2015	2" x 1-1/2"	3.19	81.0
BL3RC-2515	G3RC-2515	2-1/2" x 1-1/2"	3.69	93.7
BL3RC-2520	G3RC-2520	2-1/2" x 2"	3.69	93.7
BL3RC-3015	N/A	3" x 1-1/2"	4.06	103.1
BL3RC-3020	G3RC-3020	3" x 2"	4.06	103.1
BL3RC-3025	G3RC-3025	3" x 2-1/2"	4.06	103.1
BL3RC-4020	N/A	4" x 2"	4.47	113.6
BL3RC-4030	G3RC-4030	4" x 3"	4.47	113.6

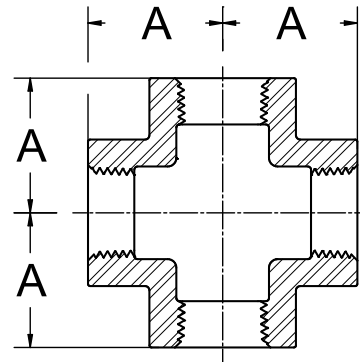


CLASS 300 BLACK / GALVANIZED MALLEABLE IRON FITTINGS

Cross - FPT



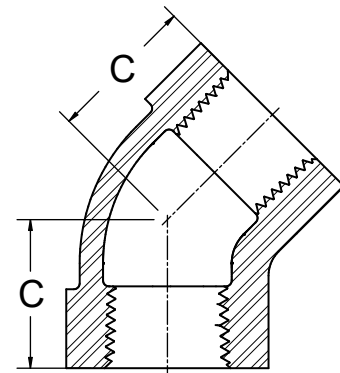
Black	Galvanized	Size	A	
			Inches	mm
BL3CR-02	N/A	1/4"	0.94	23.9
BL3CR-05	G3CR-05	1/2"	1.25	31.8
BL3CR-07	G3CR-07	3/4"	1.44	35.6
BL3CR-10	G3CR-10	1"	1.63	41.4
BL3CR-12	G3CR-12	1-1/4"	1.94	49.3
BL3CR-15	G3CR-15	1-1/2"	2.13	54.1
BL3CR-20	G3CR-20	2"	2.50	63.5



45° Elbow - FPT



Black	Galvanized	Size	C	
			Inches	mm
BL3E4-02	G3E4-02	1/4"	0.81	20.6
BL3E4-03	G3E4-03	3/8"	0.88	22.4
BL3E4-05	G3E4-05	1/2"	1.00	25.4
BL3E4-07	G3E4-07	3/4"	1.13	28.7
BL3E4-10	G3E4-10	1"	1.31	33.3
BL3E4-12	G3E4-12	1-1/4"	1.50	38.1
BL3E4-15	G3E4-15	1-1/2"	1.69	42.9
BL3E4-20	G3E4-20	2"	2.00	50.8
BL3E4-25	G3E4-25	2-1/2"	2.25	57.2
BL3E4-30	G3E4-30	3"	2.50	63.5
BL3E4-40	G3E4-40	4"	2.80	71

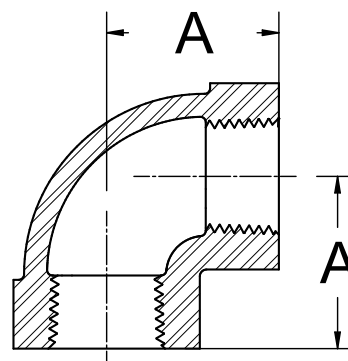


CLASS 300 BLACK / GALVANIZED MALLEABLE IRON FITTINGS

90° Elbow - FPT



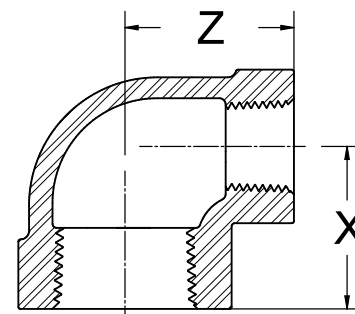
Black	Galvanized	Size	A	
			Inches	mm
BL3E-02	G3E-02	1/4"	0.94	23.9
BL3E-03	G3E-03	3/8"	1.06	26.9
BL3E-05	G3E-05	1/2"	1.25	31.8
BL3E-07	G3E-07	3/4"	1.44	35.6
BL3E-10	G3E-10	1"	1.63	41.4
BL3E-12	G3E-12	1-1/4"	1.94	49.3
BL3E-15	G3E-15	1-1/2"	2.13	54.1
BL3E-20	G3E-20	2"	2.50	63.5
BL3E-25	G3E-25	2-1/2"	2.94	74.7
BL3E-30	G3E-30	3"	3.38	85.9
BL3E-40	G3E-40	4"	4.49	114



Reducing 90° Elbow - FPT



Black	Size	X		Z	
		Inches	mm	Inches	mm
BL3RE-0302	3/8" x 1/4"	1.04	26.4	1.03	26.2
BL3RE-0503	1/2" x 3/8"	1.19	30.2	1.19	30.2
BL3RE-0705	3/4" x 1/2"	1.31	33.3	1.38	35.1
BL3RE-1005	1" x 1/2"	1.50	38.1	1.56	39.6
BL3RE-1007	1" x 3/4"	1.50	38.1	1.56	39.6
BL3RE-1207	1-1/4" x 3/4"	1.63	41.4	1.75	44.5
BL3RE-1210	1-1/4" x 1"	1.75	44.5	1.81	46.0
BL3RE-1510	1-1/2" x 1"	1.88	47.8	2.00	50.8
BL3RE-1512	1-1/2" x 1-1/4"	2.00	50.8	2.06	52.3
BL3RE-2012	2" x 1-1/4"	2.13	54.1	2.31	58.7
BL3RE-2015	2" x 1-1/2"	2.25	57.2	2.38	60.5



BOSHART
INDUSTRIES

© 2020 Boshart Industries Inc. All Rights Reserved.

25 Whaley Avenue, PO Box 310, Milverton, ON CANADA N0K 1M0
Tel: 800-561-3164

boshart.com ♦ blog.boshart.com

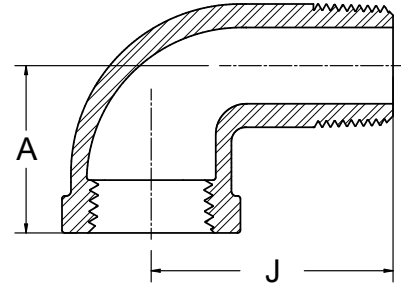
BII-MIF300-0722(783M)

CLASS 300 BLACK / GALVANIZED MALLEABLE IRON FITTINGS

90° Street Elbow - FPT x MPT



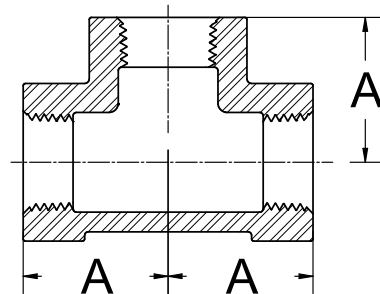
Black	Galvanized	Size	A		J	
			Inches	mm	Inches	mm
BL3SE-02	G3SE-02	1/4"	0.94	23.9	1.44	36.6
BL3SE-03	G3SE-03	3/8"	1.06	26.9	1.63	41.4
BL3SE-05	G3SE-05	1/2"	1.25	31.8	2.00	50.8
BL3SE-07	G3SE-07	3/4"	1.44	36.6	2.19	55.6
BL3SE-10	G3SE-10	1"	1.63	41.4	2.56	65
BL3SE-12	G3SE-12	1-1/4"	1.94	49.3	2.88	73.2
BL3SE-15	G3SE-15	1-1/2"	2.13	54.1	3.13	79.5
BL3SE-20	G3SE-20	2"	2.50	63.5	3.69	93.7
BL3SE-30	N/A	3"	3.38	85.9	5.13	130.3



Tee - FPT



Black	Galvanized	Size	A	
			Inches	mm
BL3T-02	G3T-02	1/4"	0.94	23.9
BL3T-03	G3T-03	3/8"	1.06	26.9
BL3T-05	G3T-05	1/2"	1.25	31.8
BL3T-07	G3T-07	3/4"	1.44	35.6
BL3T-10	G3T-10	1"	1.63	41.4
BL3T-12	G3T-12	1-1/4"	1.94	49.3
BL3T-15	G3T-15	1-1/2"	2.13	54.1
BL3T-20	G3T-20	2"	2.50	63.5
BL3T-25	G3T-25	2-1/2"	2.94	74.7
BL3T-30	G3T-30	3"	3.38	85.9
BL3T-40	G3T-40	4"	4.5	114.3



BOSHART
INDUSTRIES

© 2020 Boshart Industries Inc. All Rights Reserved.

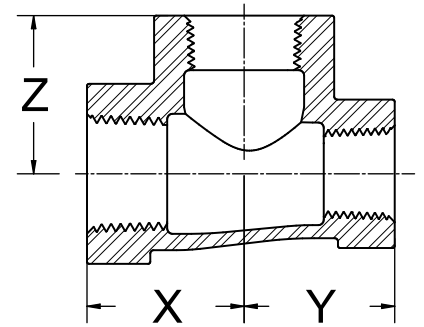
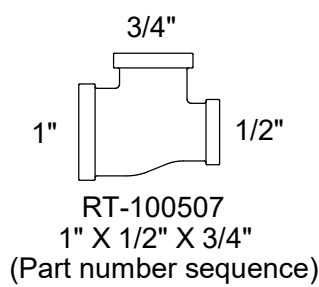
25 Whaley Avenue, PO Box 310, Milverton, ON CANADA N0K 1M0
Tel: 800-561-3164

boshart.com ♦ blog.boshart.com

BII-MIF300-0722(783M)

CLASS 300 BLACK / GALVANIZED MALLEABLE IRON FITTINGS

Reducing Tee - FPT



Black	Galvanized	Size	X		Y		Z	
			Inches	mm	Inches	mm	Inches	mm
BL3RT-050502	N/A	1/2" x 1/2" x 1/4"	1.13	28.7	1.13	28.7	1.12	28.4
BL3RT-070505	N/A	3/4" x 1/2" x 1/2"	1.31	33.3	1.25	31.8	1.38	35.1
BL3RT-070507	N/A	3/4" x 1/2" x 3/4"	1.44	36.6	1.38	35.1	1.44	36.6
BL3RT-070702	N/A	3/4" x 3/4" x 1/4"	1.19	30.2	1.19	30.2	1.25	31.8
BL3RT-070703	N/A	3/4" x 3/4" x 3/8"	1.31	33.3	1.31	33.3	1.38	35.1
BL3RT-070705	G3RT-070705	3/4" x 3/4" x 1/2"	1.31	33.3	1.31	33.3	1.38	35.1
BL3RT-100510	G3RT-100510	1" x 1/2" x 1"	1.63	41.4	1.50	38.1	1.63	41.4
BL3RT-100707	N/A	1" x 3/4" x 3/4"	1.50	38.1	1.44	36.6	1.56	39.6
BL3RT-100710	N/A	1" x 3/4" x 1"	1.63	41.4	1.56	39.6	1.63	41.4
BL3RT-101002	N/A	1" x 1" x 1/4"	1.25	31.8	1.25	31.8	1.38	35.1
BL3RT-101005	N/A	1" x 1" x 1/2"	1.44	36.6	1.44	36.6	1.50	38.1
BL3RT-101007	G3RT-101007	1" x 1" x 3/4"	1.50	38.1	1.50	38.1	1.56	39.6
BL3RT-121010	N/A	1-1/4" x 1" x 1"	1.75	44.5	1.63	41.4	1.81	46
BL3RT-121205	G3RT-121205	1-1/4" x 1-1/4" x 1/2"	1.50	38.1	1.50	38.1	1.69	42.9
BL3RT-121207	G3RT-121207	1-1/4" x 1-1/4" x 3/4"	1.63	41.4	1.63	41.4	1.75	44.5
BL3RT-121210	G3RT-121210	1-1/4" x 1-1/4" x 1"	1.75	44.5	1.75	44.5	1.81	46.0
BL3RT-151505	G3RT-151505	1-1/2" x 1-1/2" x 1/2"	1.63	41.4	1.63	41.4	1.81	46.0
BL3RT-151507	G3RT-151507	1-1/2" x 1-1/2" x 3/4"	1.69	42.9	1.69	42.9	1.88	47.6
BL3RT-151510	G3RT-151510	1-1/2" x 1-1/2" x 1"	1.81	46.0	1.81	46.0	2.00	50.8
BL3RT-151512	G3RT-151512	1-1/2" x 1-1/2" x 1-1/4"	2.00	50.8	2.00	50.8	2.06	52.3
BL3RT-201520	N/A	2" x 1-1/2" x 2"	2.50	63.5	2.38	60.5	2.50	63.5
BL3RT-202005	G3RT-202005	2" x 2" x 1/2"	1.75	44.5	1.75	44.5	2.06	52.3
BL3RT-202007	G3RT-202007	2" x 2" x 3/4"	1.81	46.0	1.81	46.0	2.13	54.1
BL3RT-202010	G3RT-202010	2" x 2" x 1"	2.00	50.8	2.00	50.8	2.25	57.2
BL3RT-202012	G3RT-202012	2" x 2" x 1-1/4"	2.13	54.1	2.13	54.1	2.31	58.7
BL3RT-202015	G3RT-202015	2" x 2" x 1-1/2"	2.25	57.2	2.25	57.2	2.38	60.5
BL3RT-252515	N/A	2-1/2" x 2-1/2" x 1-1/2"	2.44	62.0	2.44	62.0	2.63	66.8
BL3RT-303020	N/A	3" x 3" x 2"	2.81	71.4	2.81	71.4	3.13	79.5

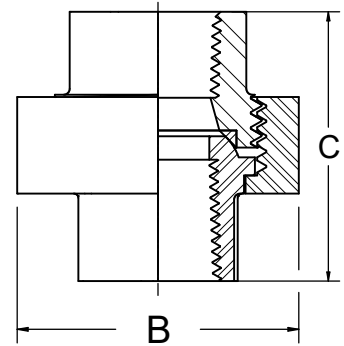
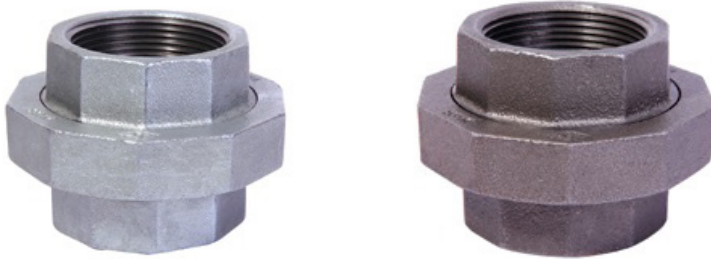


25 Whaley Avenue, PO Box 310, Milverton, ON CANADA N0K 1M0
Tel: 800-561-3164

boshart.com ♦ blog.boshart.com

CLASS 300 BLACK / GALVANIZED MALLEABLE IRON FITTINGS

Union - FPT



Black	Galvanized	Size	B		C	
			Inches	mm	Inches	mm
BL3U-01	N/A	1/8"	0.93	23.6	1.26	32.0
BL3U-02	G3U-02	1/4"	1.33	33.8	1.55	39.4
BL3U-03	G3U-03	3/8"	1.50	38.1	1.71	43.4
BL3U-05	G3U-05	1/2"	1.76	44.7	1.81	46.0
BL3U-07	G3U-07	3/4"	2.15	54.6	2.12	53.8
BL3U-10	G3U-10	1"	2.48	63.0	2.31	58.7
BL3U-12	G3U-12	1-1/4"	3.02	76.7	2.66	67.6
BL3U-15	G3U-15	1-1/2"	3.28	83.3	2.85	72.4
BL3U-20	G3U-20	2"	3.96	100.6	3.23	82.0
BL3U-25	G3U-25	2-1/2"	4.72	119.9	3.33	84.6
BL3U-30	G3U-30	3"	5.37	136.4	4.09	103.9
BL3U-40	G3U-40	4"	7.00	177.8	4.47	113.5