

0832(R)(3)(4)(5) SERIES FORGED BRASS GAS VALVE

SPECIFICATION:

- Threads conform to ANSI / ASME B1.20.1
- 45° Flare ends conform to SAE J512
- Max Pressure Rating: 250 PSI
- Working temperature: -4°F to 149°F (-20°C to 65°C)
- Two piece Forged Brass Body
- Solid ball
- Blow-out proof stem
- Yellow or Red cast handle

CERTIFICATION:

- CSA listed to the following standards
ANSI Z21.15 & CGA 9.1: 1/2 PSIG (1/2PSI)
ASME B16.44 & CGA/CR91-002: 5 PSIG (5G)
- UL listed to the following standards
UL 842 (YRPV): Gas shutoff valves - 250 PSI
UL 842 (MHKZ): Manual valves - 250 PSI
UL 125 (YSDT): LP-Gas shutoff valves - 250 PSI
- CRN Registered



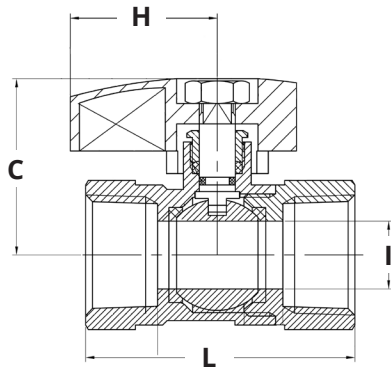
MATERIAL LIST	
Part Name	Material
Body	Brass
Seat	PTFE
Ball	Chrome Plated Brass
O-Ring	NBR Rubber
Packing Nut	Brass
Stem	Brass
Handle Nut	Plated Steel
Packing	PTFE
Handle	Aluminum
Cap	Brass

BOSHART
INDUSTRIES

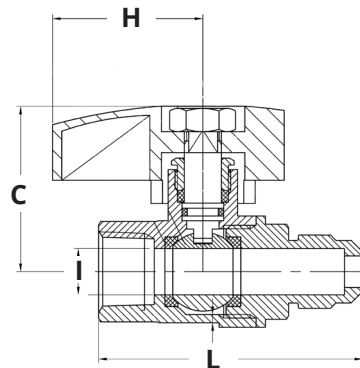
25 Whaley Avenue, PO Box 310, Milverton, ON CANADA N0K 1M0
Tel: 800-561-3164

boshart.com ♦ blog.boshart.com

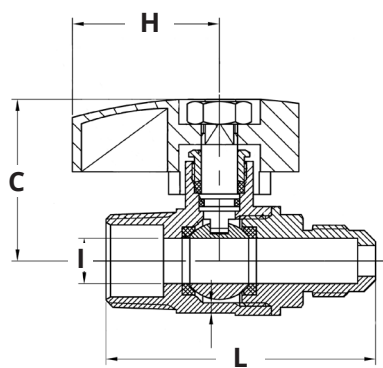
0832(R)(3)(4)(5) SERIES FORGED BRASS GAS VALVE



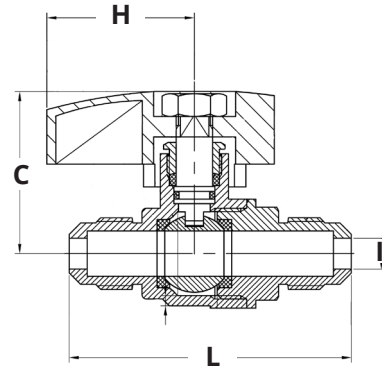
Ref. No. 1



Ref. No. 2



Ref. No. 3



Ref. No. 4

DIMENSIONS

Part No.	Description	Ref. No.	I		L		C		H		Weight grams
			inches	mm	inches	mm	inches	mm	inches	mm	
0832-03	3/8"FPT x 3/8"FPT	1	0.39	10.00	1.75	44.50	1.28	32.50	1.44	36.50	116
0832-05	1/2"FPT x 1/2"FPT	1	0.39	10.00	2.20	56.00	1.28	32.50	1.44	36.50	152
0832-07	3/4"FPT x 3/4"FPT	1	0.59	15.00	2.36	60.00	1.28	32.50	1.54	39.00	220
0832-10	1"FPT x 1"FPT	1	0.75	19.00	2.87	73.00	1.28	32.50	1.72	43.70	346
0832R-03	3/8"FPT x 3/8"FPT	1	0.39	10.00	1.75	44.50	1.28	32.50	1.44	36.50	116
0832R-05	1/2"FPT x 1/2"FPT	1	0.39	10.00	2.20	56.00	1.28	32.50	1.44	36.50	152
0832R-07	3/4"FPT x 3/4"FPT	1	0.59	15.00	2.36	60.00	1.28	32.50	1.54	39.00	220
0832R-10	1"FPT x 1"FPT	1	0.75	19.00	2.87	73.00	1.28	32.50	1.72	43.70	346
0833-0503	1/2"FPT x 3/8"FL	2	0.39	10.00	2.38	60.50	1.28	32.50	1.44	36.50	145
0833-0505	1/2"FPT x 1/2"FL	2	0.39	10.00	2.52	64.00	1.28	32.50	1.44	36.50	161
0834-0503	1/2"MPT x 3/8"FL	3	0.39	10.00	2.34	59.50	1.28	32.50	1.44	36.50	134
0834-0505	1/2"MPT x 1/2"FL	3	0.39	10.00	2.48	63.00	1.28	32.50	1.44	36.50	149
0835-03	3/8"FL x 3/8"FL	4	0.27	6.80	2.44	62.00	1.28	32.50	1.44	36.50	133
0835-05	1/2"FL x 1/2"FL	4	0.38	9.60	2.45	62.50	5.22	32.50	4.72	36.50	160

BOSHART
INDUSTRIES

25 Whaley Avenue, PO Box 310, Milverton, ON CANADA N0K 1M0
Tel: 800-561-3164

boshart.com ♦ blog.boshart.com