

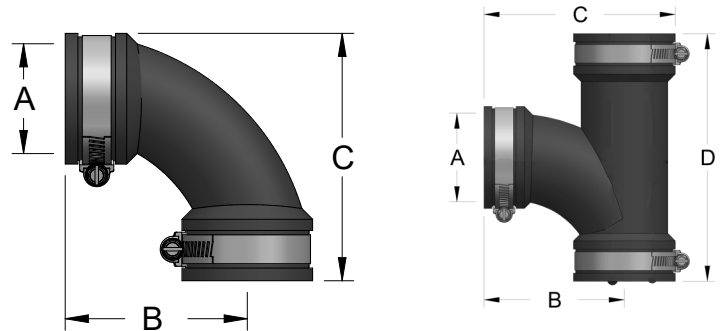
FRQE & FRQT SERIES FLEXIBLE ELBOW AND TEE

SPECIFICATION:

- Provide quick flexible connection
- Use in above ground applications of drain, waste and vent (DWV) piping
- Easily installed in confined spaces
- Will fit repair jobs where fitting has been cut out
- Flexible PVC Conforms to ASTM C564
- Max Test Pressure: 4.3 PSI (29.6KPA)
- Max Operating Temperature: 140°F (60°C)
- Min Operating Temperature: -30°F (-34°C)
- Includes two marine grade 300 Stainless Steel clamps

CERTIFICATION:

- UPC Certified to IGC 198-2004 & CSA B602 Standards by IAPMO
- Clamps UPC certified to ANSI / SAE J-1670 by IAPMO



		DIMENSIONS								
Part No.	Connection Sizes	A		B		C		D		Weight grams
		inches	mm	inches	mm	inches	mm	inches	mm	
Elbow										
FRQE-15	1-1/2" C.I. / PL x 1-1/2" C.I. / PL	1.90	48.00	3.15	80.00	4.45	113.00	-	-	205
FRQE-20	2" C.I. / PL x 2" C.I. / PL	2.40	61.00	3.80	96.00	5.20	132.00	-	-	280
FRQE-30	3" C.I. / PL x 3" C.I. / PL	3.50	89.00	5.90	150.00	8.05	204.00	-	-	750
FRQE-40	4" C.I. / PL x 4" C.I. / PL	4.50	114.00	7.20	183.00	9.75	247.00	-	-	1100
Tee										
FRQT-15	1-1/2" C.I. / PL x 1-1/2" C.I. / PL	1.90	48.00	3.25	82.00	4.50	114.00	5.75	146.00	300
FRQT-20	2" C.I. / PL x 2" C.I. / PL	2.40	61.00	5.00	127.00	3.80	96.00	6.70	170.00	420
FRQT-30	3" C.I. / PL x 3" C.I. / PL	3.50	89.00	6.15	156.00	7.80	198.00	10.35	263.00	980
FRQT-40	4" C.I. / PL x 4" C.I. / PL	4.50	114.00	7.60	193.00	10.45	265.00	13.05	331.00	1910



25 Whaley Avenue, PO Box 310, Milverton, ON CANADA N0K 1M0
Tel: 800-561-3164

boshart.com ♦ blog.boshart.com