

# 14SFHK-(S)15 SERIES 1-1/2" SPIN-OUT FILTER / SEPARATOR HOUSINGS & KITS

LEAD FREE



Certified by IAPMO R&T Against NSF/ANSI Standard 372 For Lead Free Compliance.

## APPLICATION:

- Agriculture
- Industrial / Commercial
- Pre-treatment
- Whole House Residential
- Irrigation

## FEATURES:

- Compatible with Schedule 40 & 80 PVC Pipe
- Gripper Ribs on Filter Bowl
  - No tools Required to install / remove filter bowl
- Flush System - 1/2" MPT Connection for Purge Valve
- Suitable for Installation on either the Suction or Pressure Side of Pump
- Elements marked with mesh rating and replacement O-Ring for easy identification

## SPECIFICATION:

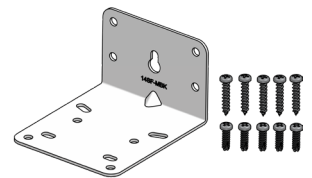
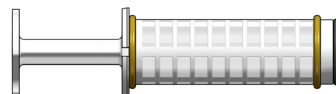
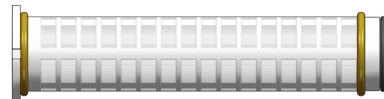
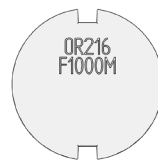
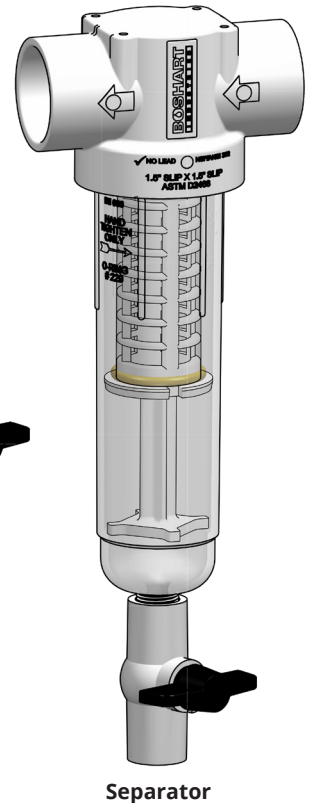
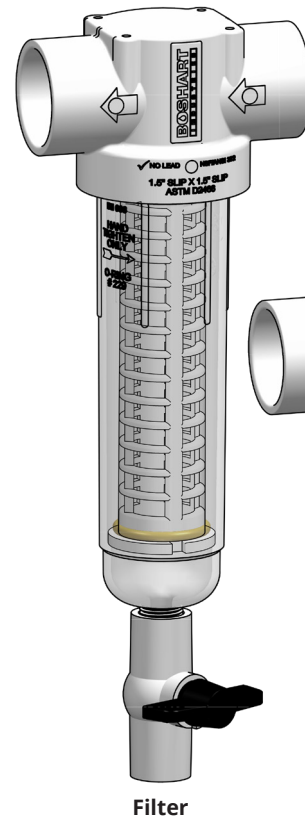
- Inlet/Outlet Connection 1-1/2" Slip: ASTM D2466
- Threaded Connections: ASME/ANSI B1.20.1
- Filter Head Materials: ASTM D1784 - Grade 1 PVC
- Maximum Pressure Rating: 150 PSI @ 73°F (23°C)
- Maximum Temperature Rating: 100°F (38°C) @ 40 PSI
- Flow Rate: 10-50 GPM

## CERTIFICATION:

- NSF/ANSI 372

## KIT INCLUDES:

- Housing
- Purge Valve
- Filter or Separator Element
  - (not included in basic unit 14SFHK-15)
- Mounting Bracket and hardware



## MATERIAL LIST

Part Name	Material
Head	HR-5009 RIGID PVC (White)
Bowl	Polycarbonate Lexan 124R
Bowl O-Ring	Buna-N (Size AS568-228)
Element Core	HR-5009 RIGID PVC (White)
Element O-Ring	Buna-N (Size AS568-216)
Screen	316 Stainless Steel
Purge Valve	Body: PVC, Handle: ABS, Seat: TPE
Mounting Bracket	Powder Coated Steel

**BOSHART**  
**INDUSTRIES**

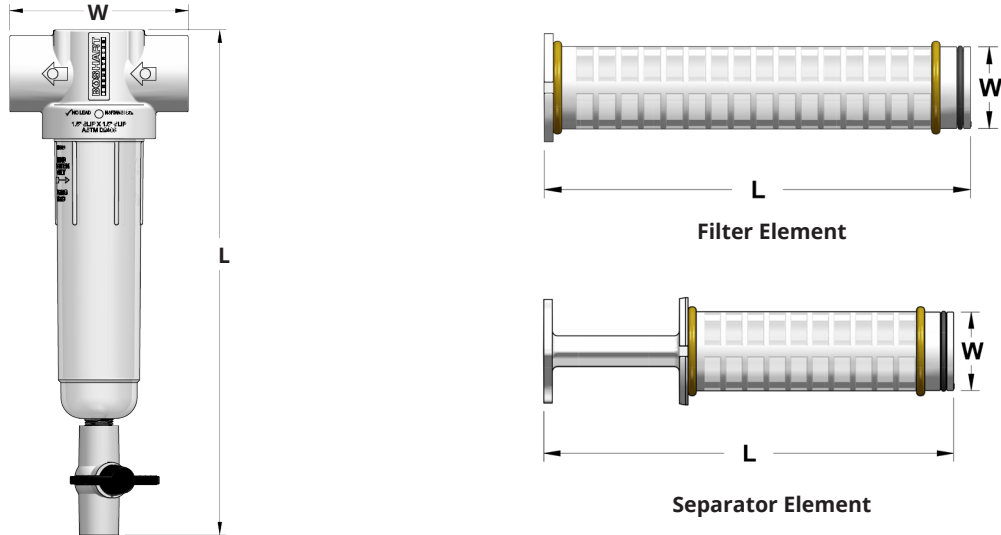
© 2019 Boshart Industries Inc. All Rights Reserved.

25 Whaley Avenue, PO Box 310, Milverton, ON CANADA N0K 1M0  
Tel: 800-561-3164

[boshart.com](http://boshart.com) • [blog.boshart.com](http://blog.boshart.com)

BII-14SFHK-(S)15-0524(131FH) V3

# 14SFHK-(S)15 SERIES 1-1/2" SPIN-OUT FILTER / SEPARATOR HOUSINGS & KITS



DIMENSIONS													
Part No.	Filter Element			Complete Unit with Valve				Filter Element Only				Weight	
	Mesh Size	Micron	Opening	W		L		W		L		lb	gram
				inch	mm	inch	mm	inch	mm	inch	mm		
14SFHK-15	Basic Unit			5.30	134.6	15.07	382.8	—	—	—	—	1.46	662
<b>SEDIMENT FILTER KIT</b>													
14SFHK-15SM024	24	711	0.0280	5.30	134.6	15.07	382.8	1.67	42.4	8.14	206.8	1.70	773
14SFHK-15SM030	30	533	0.0232	5.30	134.6	15.07	382.8	1.67	42.4	8.14	206.8	1.70	773
14SFHK-15SM040	40	381	0.0165	5.30	134.6	15.07	382.8	1.67	42.4	8.14	206.8	1.70	773
14SFHK-15SM060	60	254	0.0100	5.30	134.6	15.07	382.8	1.67	42.4	8.14	206.8	1.70	773
14SFHK-15SM100	100	152	0.0060	5.30	134.6	15.07	382.8	1.67	42.4	8.14	206.8	1.70	773
14SFHK-15SM140	140	104	0.0040	5.30	134.6	15.07	382.8	1.67	42.4	8.14	206.8	1.70	773
14SFHK-15SM200	200	74	0.0029	5.30	134.6	15.07	382.8	1.67	42.4	8.14	206.8	1.70	773
14SFHK-15SM250	250	61	0.0024	5.30	134.6	15.07	382.8	1.67	42.4	8.14	206.8	1.70	773
14SFHK-15SM500	500	30	0.0012	5.30	134.6	15.07	382.8	1.67	42.4	8.14	206.8	1.70	773
14SFHK-15SM1000	1000	15	0.0006	5.30	134.6	15.07	382.8	1.67	42.4	8.14	206.8	1.70	773
<b>SEDIMENT SEPARATOR KIT</b>													
14SFHK-S15SM024	24	711	0.0280	5.30	134.6	15.07	382.8	1.67	42.4	8.14	206.8	1.65	749
14SFHK-S15SM030	30	533	0.0232	5.30	134.6	15.07	382.8	1.67	42.4	8.14	206.8	1.65	749
14SFHK-S15SM040	40	381	0.0165	5.30	134.6	15.07	382.8	1.67	42.4	8.14	206.8	1.65	749
14SFHK-S15SM060	60	254	0.0100	5.30	134.6	15.07	382.8	1.67	42.4	8.14	206.8	1.65	749
14SFHK-S15SM100	100	152	0.0060	5.30	134.6	15.07	382.8	1.67	42.4	8.14	206.8	1.65	749
14SFHK-S15SM140	140	104	0.0040	5.30	134.6	15.07	382.8	1.67	42.4	8.14	206.8	1.65	749
14SFHK-S15SM200	200	74	0.0029	5.30	134.6	15.07	382.8	1.67	42.4	8.14	206.8	1.65	749
14SFHK-S15SM250	250	61	0.0024	5.30	134.6	15.07	382.8	1.67	42.4	8.14	206.8	1.65	749
14SFHK-S15SM500	500	30	0.0012	5.30	134.6	15.07	382.8	1.67	42.4	8.14	206.8	1.65	749
14SFHK-S15SM1000	1000	15	0.0006	5.30	134.6	15.07	382.8	1.67	42.4	8.14	206.8	1.65	749

**BOSHART**  
**INDUSTRIES**

25 Whaley Avenue, PO Box 310, Milverton, ON CANADA N0K 1M0  
Tel: 800-561-3164

[boshart.com](http://boshart.com) ♦ [blog.boshart.com](http://blog.boshart.com)

© 2019 Boshart Industries Inc. All Rights Reserved.

BII-14SFHK-(S)15-0524(131FH) V3