

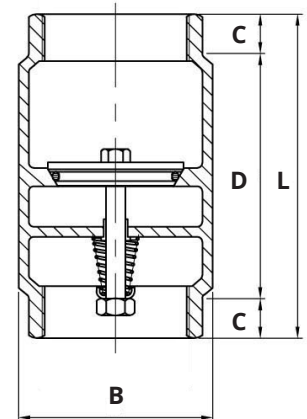
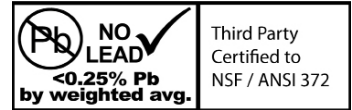
17YBCVNL SERIES NO LEAD BRASS CHECK VALVE (THREADED)

SPECIFICATION:

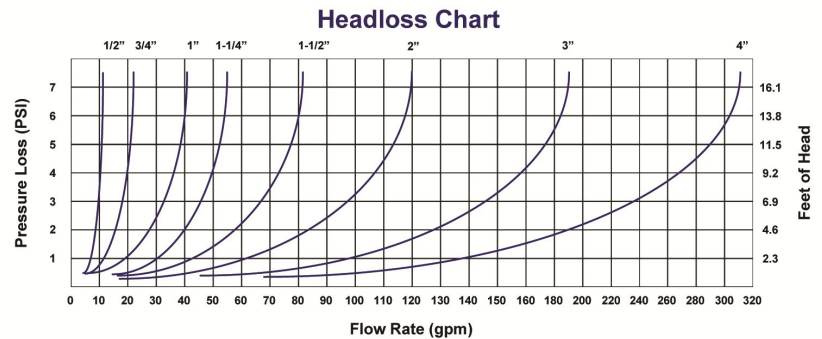
- Threads conform to ANSI/ASME B1.20.1
- Max Pressure Rating: 200 PSI
- 200 PSI WOG Non-Shock - WOG pressure rating based on ambient temperature
- Max Temp Rating: 180°F (82°C)

CERTIFICATION:

- NSF/ANSI Standard 372 Certified



MATERIAL LIST	
Part Name	Material
Hex Nut	304 Stainless Steel
Cup Washer	304 Stainless Steel
Spring	304 Stainless Steel
Bushing	Polyethylene
Body	No Lead Brass
O-ring	NBR Rubber
Poppet	No Lead Brass



DIMENSIONS										
Part No.	Size	B		C		D		L		Weight grams
		inches	mm	inches	mm	inches	mm	inches	mm	
17YBCV050NL	1/2" FPT	1.22	30.99	0.37	9.50	1.61	41.00	2.36	59.99	180
17YBCV075NL	3/4" FPT	1.46	37.01	0.39	10.01	1.85	46.99	2.64	67.01	250
17YBCV100NL	1" FPT	1.73	43.99	0.45	11.51	2.24	57.00	3.15	80.01	370
17YBCV125NL	1-1/4" FPT	2.09	53.01	0.53	13.49	2.48	62.99	3.54	89.99	600
17YBCV150NL	1-1/2" FPT	2.36	59.99	0.61	15.49	2.82	71.70	3.94	100.00	710
17YBCV200NL	2" FPT	2.95	75.01	0.65	16.51	3.43	87.00	4.72	119.99	1310
17YBCV300NL	3" FPT	4.13	105.00	1.18	30.00	5.00	127.00	7.36	186.99	4300
17YBCV400NL	4" FPT	5.51	140.00	1.97	50.01	6.46	164.01	10.39	264.01	8400



25 Whaley Avenue, PO Box 310, Milverton, ON CANADA N0K 1M0
Tel: 800-561-3164

boshart.com ♦ blog.boshart.com