

SSPEX SERIES - 304 STAINLESS STEEL CRIMP PEX FITTINGS

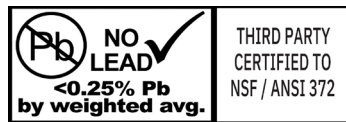
Boshart's Stainless Steel PEX Crimp fittings are great for all PEX applications. They are premium quality and durable. Featuring high corrosion resistance, and are ideal for areas with high acidity and anywhere water quality is an issue.

SPECIFICATIONS:

- For use with ASTM F2769, ASTM F2623, (PE-RT) SDR9 pipe
- For use with ASTM F876 PEX pipe
- Crimp PEX end conform to ASTM F1807
- Threads conform to ASME B1.20.1
- Maximum Pressure Rating: 100 PSI
- Temperature Range: Up to 180°F (82°C)
- Compatible with: PEX-A, PEX-B, and PEX-C

CERTIFICATIONS:

- cUPC Listed
- NSF/ANSI 61 & 372 Certified (Stainless steel alloys do not contain any lead, 0.00% Pb)



MATERIAL LIST	
Name	Percent of Composition
304 Stainless Steel	
Iron (Fe)	64.0-72.0
Carbon (C)	0.08 max
Silicone (Si)	1.00 max
Manganese (Mn)	2.00 max
Phosphorus (P)	0.05 max
Sulfur (S)	0.04 max
Chromium (Cr)	18.0-20.0
Nickel (Ni)	8.0-11.0



Download your free booklet on stainless steel ASTM F1807 crimp type PEX fittings at the link below:

<https://content.boshart.com/grow-your-wholesale-plumbing-business>



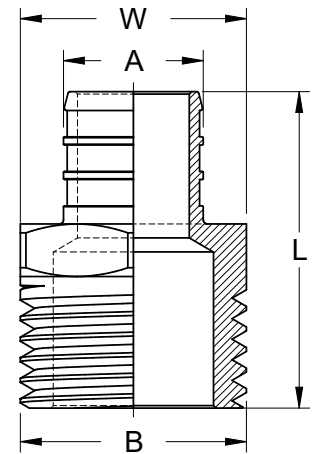
25 Whaley Avenue, PO Box 310, Milverton, ON CANADA N0K 1M0
Tel: 800-561-3164

boshart.com ♦ blog.boshart.com

STAINLESS STEEL CRIMP PEX FITTINGS

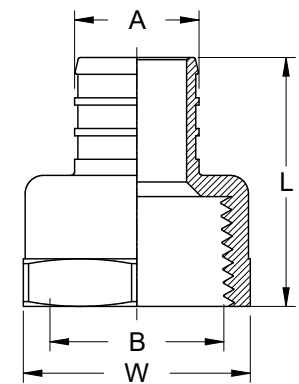
Adapter - Crimp PEX x MPT

Part No.	Nominal Pipe Size		L		W	
	A (Crimp PEX)	B (MPT)	in	mm	in	mm
SSPEX-MA05	1/2"	1/2"	1.5	38.10	0.87	22.10
SSPEX-MA0507	1/2"	3/4"	1.52	38.61	1.08	27.43
SSPEX-MA07	3/4"	3/4"	1.52	38.61	1.08	27.43
SSPEX-MA0705	3/4"	1/2"	1.48	37.59	0.87	22.10
SSPEX-MA0710	3/4"	1"	1.69	42.93	1.34	34.00
SSPEX-MA10	1"	1"	1.89	48.00	1.34	34.00
SSPEX-MA1007	1"	3/4"	1.71	43.43	1.06	27.00



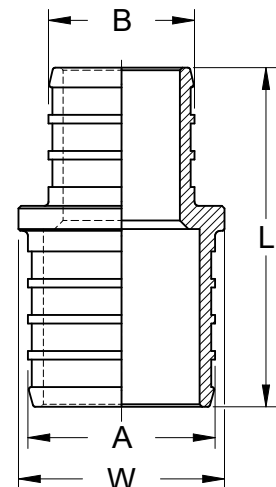
Adapter - Crimp PEX x FPT

Part No.	Nominal Pipe Size		L		W	
	A (Crimp PEX)	B (FPT)	in	mm	in	mm
SSPEX-FA05	1/2"	1/2"	1.34	34.00	0.98	24.89
SSPEX-FA0507	1/2"	3/4"	1.34	34.00	1.22	31.00
SSPEX-FA07	3/4"	3/4"	1.34	34.00	1.22	31.00
SSPEX-FA0705	3/4"	1/2"	1.34	34.00	0.98	24.89
SSPEX-FA0710	3/4"	1"	1.42	36.00	1.50	38.10
SSPEX-FA10	1"	1"	1.59	40.39	1.50	38.10



Coupling - Crimp PEX

Part No.	Nominal Pipe Size		L		W	
	A	B	in	mm	in	mm
SSPEX-C05	1/2"	1/2"	1.38	35.00	0.55	14.00
SSPEX-C07	3/4"	1/2"	1.38	35.00	0.75	19.00
SSPEX-C0705	3/4"	3/4"	1.38	35.00	0.75	19.00
SSPEX-C10	1"	1"	1.73	44.00	0.95	24.10
SSPEX-C1007	1"	3/4"	1.56	39.62	0.95	24.10



BOSHART
INDUSTRIES

© 2020 Boshart Industries Inc. All Rights Reserved.

25 Whaley Avenue, PO Box 310, Milverton, ON CANADA N0K 1M0
Tel: 800-561-3164

boshart.com ♦ blog.boshart.com

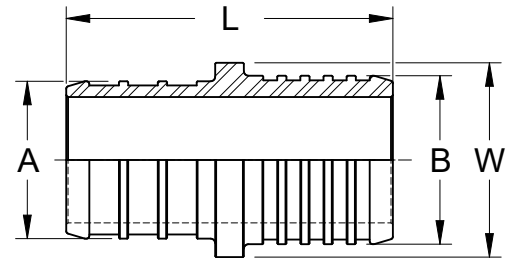
STAINLESS STEEL CRIMP PEX FITTINGS


Transition Coupling - Crimp PEX x PB

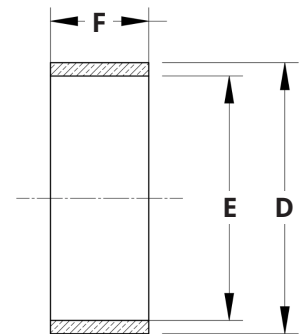
Transitions from Polybutylene (PB) pipe PB2110 to PEX. Kit includes one coupling and two copper crimp rings. The black ring goes to the crimp PEX end and the copper colored ring goes to the PB end.




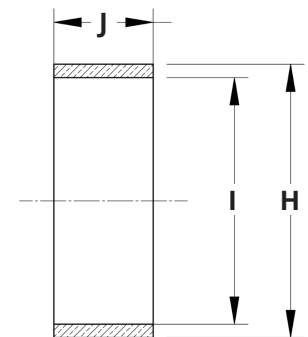
Part No.	Nominal Pipe Size		L		W	
	A (PEX)	B (PB)	in	mm	in	mm
SSPEX-PBCK05	1/2"	1/2"	1.39	35.30	0.63	16.00
SSPEX-PBCK07	3/4"	3/4"	1.39	35.30	0.83	21.00
SSPEX-PBCK10	1"	1"	1.75	44.40	1.06	27.00



Part	Description	D		E***		F	
		in	mm	in	mm	in	mm
 Ring for crimp PEX end*	1/2" Crimp PEX Ring	0.75	19.05	0.64	16.21	0.325	8.26
	3/4" Crimp PEX Ring	1.00	25.40	0.89	22.56	0.33	8.26
	1" Crimp PEX Ring	1.25	31.75	1.15	29.26	0.365	9.27



Part	Description	H		I***		J	
		in	mm	in	mm	in	mm
 Ring for PB end**	1/2" Crimp PB Ring	0.75	19.05	0.65	16.56	0.362	9.20
	3/4" Crimp PB Ring	1.00	25.40	0.90	22.91	0.362	9.20
	1" Crimp PB Ring	1.25	31.75	1.15	29.26	0.362	9.20



*Dimensional tolerances as per ASTM F1807

**Dimensional tolerances as per ASTM F1380

***Inner diameters (I & E) are calculated dimensions and are a reference only.

BOSHART
INDUSTRIES

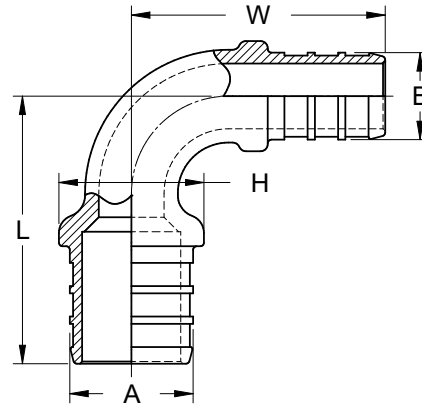
25 Whaley Avenue, PO Box 310, Milverton, ON CANADA N0K 1M0
Tel: 800-561-3164

boshart.com ♦ blog.boshart.com

© 2020 Boshart Industries Inc. All Rights Reserved.

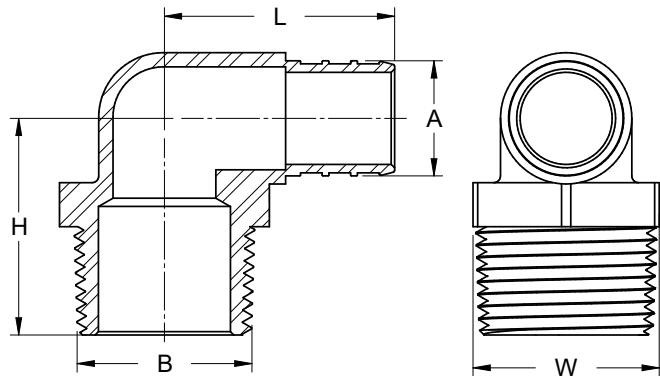
STAINLESS STEEL CRIMP PEX FITTINGS

90° Elbow - Crimp PEX



Part No.	Nominal Pipe Size		L		W		H	
	A	B	in	mm	in	mm	in	mm
SSPEX-E05	1/2"	1/2"	1.38	35.00	1.38	35.00	0.55	14.00
SSPEX-E07	3/4"	3/4"	1.66	42.19	1.66	42.19	0.75	19.00
SSPEX-E0705	3/4"	1/2"	1.45	36.91	1.38	35.00	0.79	20.00
SSPEX-E10	1"	1"	2.09	53.00	2.09	53.00	0.95	24.10

90° Elbow - Crimp PEX x MPT



Part No.	Nominal Pipe Size		L		W		H	
	A	B	in	mm	in	mm	in	mm
SSPEX-ME05	1/2"	1/2"	1.18	30.00	0.87	22.10	1.22	31.00
SSPEX-ME07	3/4"	3/4"	1.34	34.00	1.08	27.43	1.26	32.00

BOSHART
INDUSTRIES

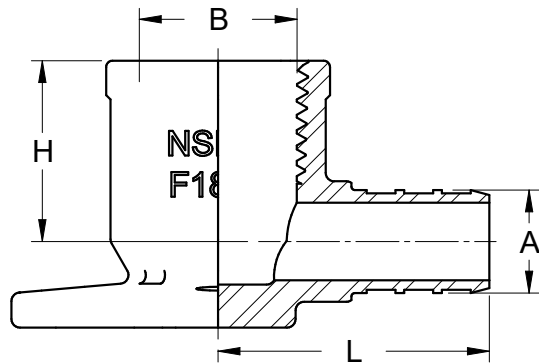
© 2020 Boshart Industries Inc. All Rights Reserved.

25 Whaley Avenue, PO Box 310, Milverton, ON CANADA N0K 1M0
Tel: 800-561-3164

boshart.com ♦ blog.boshart.com

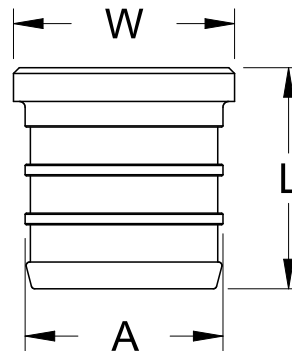
STAINLESS STEEL CRIMP PEX FITTINGS

Dropear 90° Elbow - Crimp PEX x FPT



Part No.	Nominal Pipe Size		L		W		H	
	A	B	in	mm	in	mm	in	mm
SSPEX-DE05	1/2"	1/2"	1.24	31.50	1.89	48.00	0.83	21.00
SSPEX-DE07	3/4"	3/4"	1.42	36.00	1.89	48.00	0.83	21.00
SSPEX-DE0705	3/4"	1/2"	1.22	31.00	1.89	48.01	0.75	19.00

Plug - Crimp PEX



Part No.	Nominal Pipe Size	L		W	
		in	mm	in	mm
SSPEX-P05	1/2"	0.75	19.00	0.55	14.00
SSPEX-P07	3/4"	0.75	19.00	0.75	19.00
SSPEX-P10	1"	0.93	23.50	0.95	24.00

BOSHART
INDUSTRIES

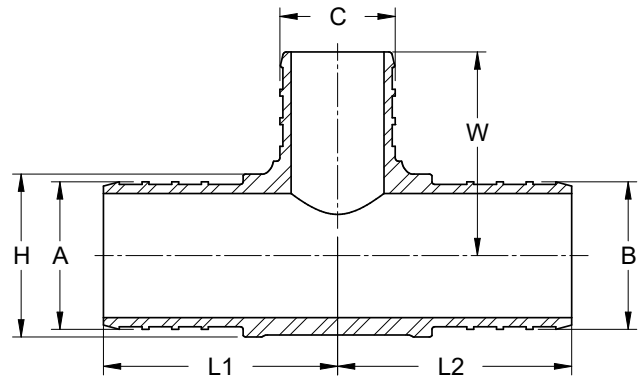
© 2020 Boshart Industries Inc. All Rights Reserved.

25 Whaley Avenue, PO Box 310, Milverton, ON CANADA N0K 1M0
Tel: 800-561-3164

boshart.com ♦ blog.boshart.com

STAINLESS STEEL CRIMP PEX FITTINGS

Tee - Crimp PEX



Part No.	Nominal Pipe Size			L1		L2		W		H	
	A	B	C	in	mm	in	mm	in	mm	in	mm
SSPEX-T05	1/2"	1/2"	1/2"	0.98	25.00	0.98	25.00	0.98	25.00	0.55	14.00
SSPEX-T050503	1/2"	1/2"	3/8"	0.93	23.50	0.93	23.50	0.98	25.00	0.55	14.00
SSPEX-T07	3/4"	3/4"	3/4"	1.06	27.00	1.06	27.00	1.06	27.00	0.75	19.00
SSPEX-T070505	3/4"	1/2"	1/2"	1.08	27.50	1.08	27.50	1.08	27.50	0.75	19.00
SSPEX-T070507	3/4"	1/2"	3/4"	1.08	27.50	1.08	27.50	1.08	27.50	0.75	19.00
SSPEX-T070703	3/4"	3/4"	3/8"	1.00	25.50	1.00	25.50	1.08	27.50	0.75	19.00
SSPEX-T070705	3/4"	3/4"	1/2"	0.98	25.00	0.98	25.00	1.08	27.50	0.75	19.00
SSPEX-T070710	3/4"	3/4"	1"	1.18	30.00	1.18	30.00	1.36	34.50	0.95	24.13
SSPEX-T10	1"	1"	1"	1.36	34.50	1.36	34.50	1.36	34.50	0.95	24.13
SSPEX-T100507	1"	1/2"	3/4"	1.36	34.50	1.19	30.10	1.18	42.00	0.95	24.13
SSPEX-T100510	1"	1/2"	1"	1.36	34.57	1.19	30.15	1.36	34.57	0.95	24.13
SSPEX-T100705	1"	3/4"	1/2"	1.22	31.00	1.00	25.50	1.22	31.00	0.95	24.13
SSPEX-T100707	1"	3/4"	3/4"	1.36	34.50	1.19	30.10	1.18	30.00	0.95	24.13
SSPEX-T100710	1"	3/4"	1"	1.36	34.50	1.19	30.10	1.36	34.50	0.95	24.13
SSPEX-T101005	1"	1"	1/2"	1.36	34.50	1.36	34.50	1.18	30.00	0.95	24.13
SSPEX-T101007	1"	1"	3/4"	1.36	34.50	1.36	34.50	1.18	30.00	0.95	24.13

STAINLESS STEEL CRIMP PEX FITTINGS

PEX Accessories



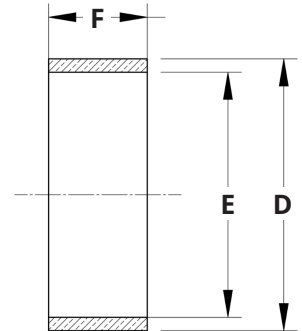
Crimp Ring

- Made from C12200 copper

Part No.	Description	D		E**		F	
		in	mm	in	mm	in	mm
720P-CR05*	1/2" Crimp PEX Ring	0.75	19.05	0.64	16.21	0.325	8.26
720P-CR07*	3/4" Crimp PEX Ring	1.00	25.40	0.89	22.56	0.33	8.26
720P-CR10*	1" Crimp PEX Ring	1.25	31.75	1.15	29.26	0.365	9.27

*Dimensional tolerances as per ASTM F1807

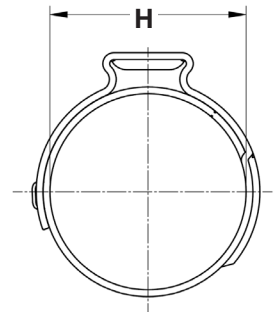
**Note: I.D. (E) is a calculated dimension and is a reference only.



Pinch Clamp

- Made from 304 stainless steel
- Conforms to testing standard ASTM-F877 (Standard Specification for Crosslinked Polyethylene (PEX) Hot- and Cold-Water Distribution Systems)

Part No.	Description	H (Unclamped)		H (Clamped)	
		in	mm	in	mm
SSPEX-PC05	1/2" PEX Clamp Ring	0.69	17.5	0.61	15.5
SSPEX-PC07	3/4" PEX Clamp Ring	0.92	23.3	0.86	21.8
SSPEX-PC10	1" PEX Clamp Ring	1.17	29.6	1.12	28.4



For more information on installation, adjustment, repair & operation, visit Boshart Knowledge Base at

SUPPORT.BOSHART.COM



BOSHART

INDUSTRIES

© 2020 Boshart Industries Inc. All Rights Reserved.

25 Whaley Avenue, PO Box 310, Milverton, ON CANADA N0K 1M0
Tel: 800-561-3164

boshart.com ♦ blog.boshart.com