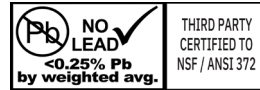


0852NL SERIES - NO LEAD BRASS HOSE BIBB QUARTER TURN

FEATURES:

- Black cast handle
- Forged brass body
- Blow-out proof stem



SPECIFICATIONS:

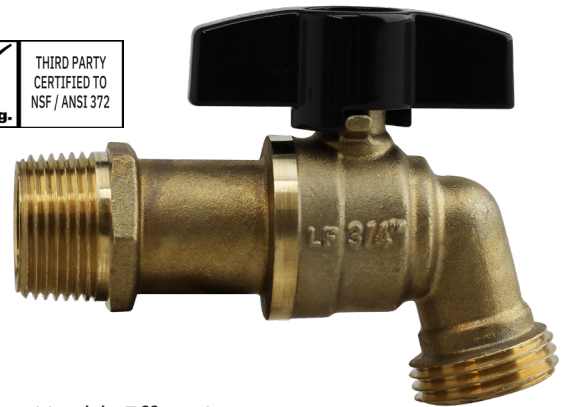
- Inlet Threads conform to ANSI/ASME B1.20.1
- 1/2" has combination MPT & 1/2" solder inlet connection
- Solder ends comply with ANSI B16.18
- Standard Port
- Hose thread outlet 3/4" GHT
- Stem Seal: Double O-ring

CERTIFICATIONS:

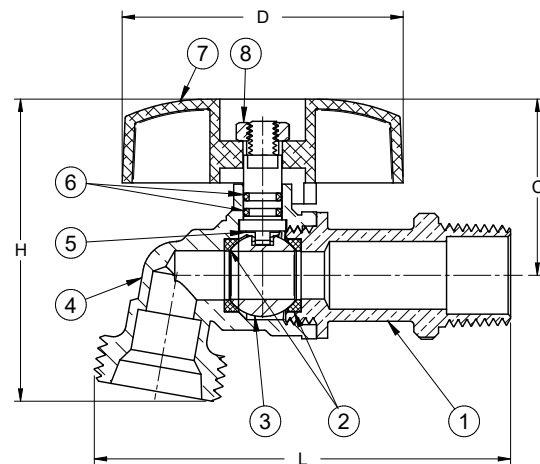
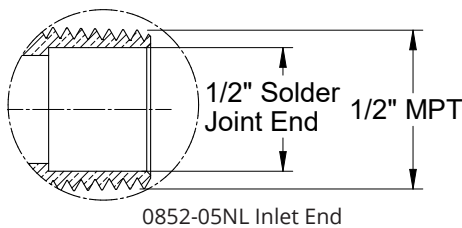
- NSF/ANSI Standard 61 Certified (Drinking Water System Components - Health Effects)
- NSF/ANSI Standard 372 Certified (Drinking Water System Components - Lead Content - NL Brass - (NL test criteria <math><0.25\% \text{ Pb}</math> by weighted average)

RATINGS:

- Max Pressure Rating: 200 PSI CWP - Cold Working Pressure is an indication of the pressure rating for valves at a temperature range of up to +100°F (37°C)
- Max Temperature Rating: 248°F (120°C)



MATERIAL LIST		
Part No.	Part Name	Material
1	End Cap	C46500 NL Brass
2	Seat	PTFE
3	Ball	Chrome Plated C46500 NL Brass
4	Body	C46500 NL Brass
5	Stem	C37700 Brass
6	Stem O-Ring	EPDM
7	Handle	Aluminium
8	Handle Nut	Chrome Plated Steel



DIMENSIONS											
Part No.	Inlet Connection	D		H		L		C		Weight	
		inches	mm	inches	mm	inches	mm	inches	mm	grams	lbs
0852-05NL	1/2" MPT	2.28	58.00	2.44	62.00	3.35	85.00	1.38	35.00	185	0.408
0852-07NL	3/4" MPT	2.28	58.00	2.80	71.00	3.78	96.00	1.52	38.50	230	0.507



25 Whaley Avenue, PO Box 310, Milverton, ON CANADA N0K 1M0
Tel: 800-561-3164

VISIT US ONLINE AT BOSHART.COM

