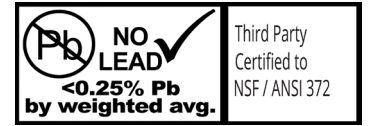


0875H(F)NL SERIES NO LEAD BRASS HEAVY DUTY HOSE BIBB NO-KINK



SPECIFICATION:

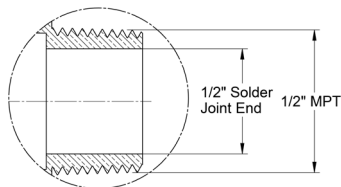
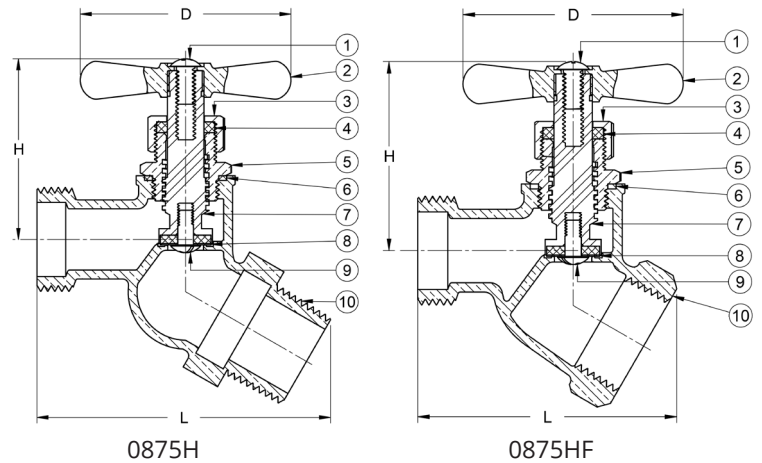
- Inlet Thread conforms to ANSI/ASME B1.20.1
- Outlet Thread is 3/4" GHT
- Max Pressure Rating: 125 PSI
- Max Temperature Rating: 160°F (71°C)
- Green Epoxy Coated Tee Handle

CERTIFICATION:

- NSF/ANSI Standard 61 & 372 Certified
- CSA Standard B125.1 Certified



MATERIAL LIST		
Part #	Part Name	Material
1	Handle Bolt	Chrome Plated Steel
2	T-Handle	Green Powder Coated Zinc
3	Packing Nut	C37700 Brass
4	Gland Packing	PTFE
5	Bonnet	C46400 NL Brass
6	Packing	Nylon
7	Stem	C46400 NL Brass
8	Seat Packing	NBR-Rubber
9	Seat Screw	C26000 NL Brass
10	Body	C46400 NL Brass



0875H-05NL Inlet End

DIMENSIONS									
Part No.	Inlet Description	D		H		L		Weight	
		inches	mm	inches	mm	inches	mm	grams	lbs
0875H-05NL	1/2" MPT x C	2.13	54.00	1.83	46.50	2.88	73.00	219	0.483
0875H-07NL	3/4" MPT	2.13	54.00	1.83	46.50	2.97	75.50	225	0.496
0875HF-05NL	1/2" FPT	2.13	54.00	1.83	46.50	2.44	62.00	212	0.467
0875HF-07NL	3/4" FPT	2.13	54.00	1.83	46.50	2.50	63.50	208	0.459



25 Whaley Avenue, PO Box 310, Milverton, ON CANADA N0K 1M0
Tel: 800-561-3164

boshart.com ♦ blog.boshart.com