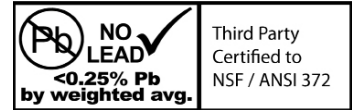


# 082WD(C)NL SERIES NO LEAD BRASS BALL VALVE WITH DRAIN (THREADED & CxC SWEAT)

## SPECIFICATION:

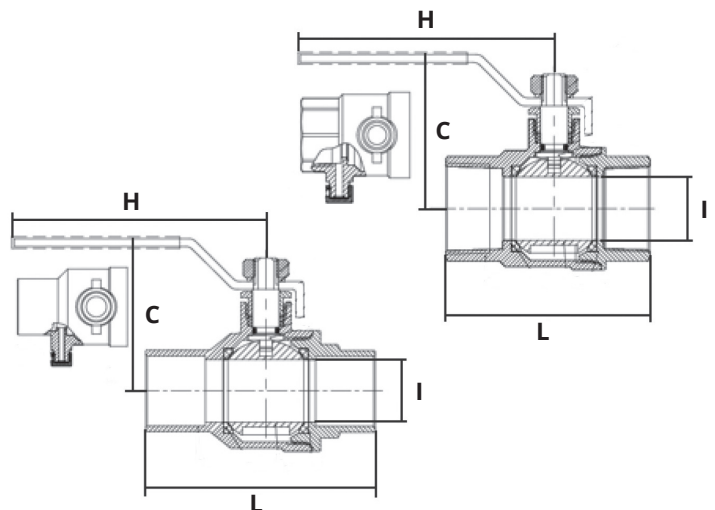
- Threads conform to ANSI/ASME B1.20.1
- Sweat connections conform to ANSI B16.18
- Max Pressure Rating: 600 PSI
- 600 PSI WOG Non-Shock - WOG pressure rating based on ambient temperature
- Max Temperature Rating: 300°F (150°C)
- Full port design
- Two piece forged brass body
- Integral drain port to allow system draining
- Blow-out proof stem
- Zinc plated steel handle with blue plastic sleeve



## CERTIFICATION:

- NSF/ANSI Standard 61 & 372 Certified

MATERIAL LIST	
Part Name	Material
Body	No Lead Brass
Seat Seal	No Lead Brass
Ball	No Lead Brass (Chrome plated)
Bonnet	No Lead Brass
Stem	No Lead Brass
O-ring	EPDM
Gland Packing	PTFE
Gland Nut	No Lead Brass
Handle + Sleeve	Steel + PVC
Washer	Steel
Nut	Steel
Drain Cap	No Lead Brass
Drain Washer	EPDM



DIMENSIONS										
Part No.	Description	I		C		L		H		Weight grams
		inches	mm	inches	mm	inches	mm	inches	mm	
082WD-05NL	1/2" FxF	0.59	15.24	1.77	45.19	2.24	57.00	3.74	95.00	220
082WD-07NL	3/4" FxF	0.79	20.07	1.93	49.19	2.53	64.40	3.93	100.00	346
082WD-10NL	1" FxF	0.98	25.15	2.33	59.30	3.13	79.50	4.33	110.00	545
082WDC-05NL	1/2" CxC	0.59	15.24	1.77	45.19	2.15	54.80	3.74	95.00	202
082WDC-07NL	3/4" CxC	0.79	20.07	1.93	49.19	2.89	73.60	3.93	100.00	318
082WDC-10NL	1" CxC	0.98	25.15	2.33	59.30	3.53	89.80	4.33	110.00	520



25 Whaley Avenue, PO Box 310, Milverton, ON CANADA N0K 1M0  
Tel: 800-561-3164

[boshart.com](http://boshart.com) ♦ [blog.boshart.com](http://blog.boshart.com)