

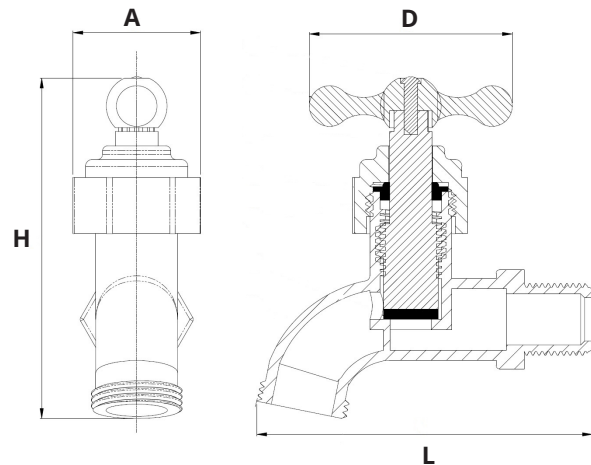
# PHB SERIES PLASTIC HOSE BIBB

## SPECIFICATION:

- Threads conform to ANSI/ASME B1.20.1
- Hose thread outlet 3/4" GHT
- Max Pressure Rating: 145 PSI
- Max Temperature Rating: 180°F (82°C)
- Stem packing material: Rubber (NBR)
- Seat material: PTFE
- White ABS construction
- Red ABS tee handle



MATERIAL LIST	
Part Name	Material
Body	ABS plastic
Nut	ABS plastic
Handle	ABS plastic
Stem	ABS plastic
Seat	NBR Rubber
Seat	NBR Rubber
Screw	Stainless Steel



DIMENSIONS										
Part No.	Description	A		D		L		H		Weight grams
		inches	mm	inches	mm	inches	mm	inches	mm	
PHB-05	1/2" MPT	1.47	37.30	2.42	61.30	3.90	99.00	3.72	94.50	86
PHB-07	3/4" MPT	1.47	37.30	2.42	61.30	3.90	99.00	3.72	94.50	86



25 Whaley Avenue, PO Box 310, Milverton, ON CANADA N0K 1M0  
Tel: 800-561-3164

[boshart.com](http://boshart.com) ♦ [blog.boshart.com](http://blog.boshart.com)