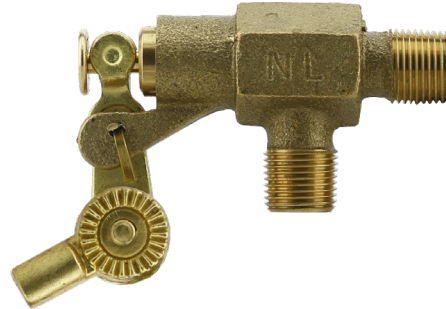
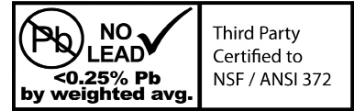


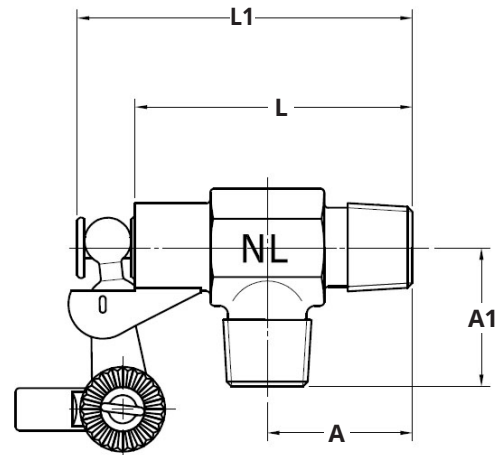
28-BFV SERIES NO LEAD BRASS FLOAT VALVE (THREADED)

SPECIFICATION:

- Threads conform to ANSI/ASME B1.20.1
- Max Temperature Rating: 180°F (82°C)
- Max Operating Pressure Rating: 125 PSI



MATERIAL LIST	
Name	Material
Body	No Lead Brass
Seat	NBR Rubber
Barrel	No Lead Brass
O-Ring	NBR Rubber
Float Rod End Adapter	No Lead Brass
Crank	No Lead Brass
Screw	No Lead Brass
Cotter Pin	No Lead Brass



DIMENSIONS												
Part No.	Inlet	Outlet	Rod Connection	A		A1		L		L1		Weight
	MPT	MPT	Tapped	inches	mm	inches	mm	inches	mm	inches	mm	
28-BFV-03NL	3/8"	3/8"	1/4" - 20 SAE	1.34	34.00	1.32	33.50	2.64	67.00	3.29	83.50	250
28-BFV-05NL	1/2"	1/2"	1/4" - 20 SAE	1.46	37.00	1.38	35.00	2.70	68.50	3.29	83.50	280
28-BFV-07NL	3/4"	3/4"	1/4" - 20 SAE	1.54	39.00	1.42	36.00	2.97	75.50	3.51	89.00	363
28-BFV-10NL	1"	1"	1/4" - 20 SAE	1.81	46.00	1.75	44.50	3.39	86.00	3.96	100.50	550



25 Whaley Avenue, PO Box 310, Milverton, ON CANADA N0K 1M0
Tel: 800-561-3164

boshart.com ♦ blog.boshart.com