

14SFHK SERIES SPIN-OUT FILTER/SEPARATOR HOUSINGS & KITS

Spin-out filtration is a method of removing sediment from water using centrifugal force rather than filter media. As water enters the unit, it is directed into a spinning motion that forces heavier particles, such as sand and grit outward to the wall of the filter bowl, where they settle into a collection chamber for easy purging.

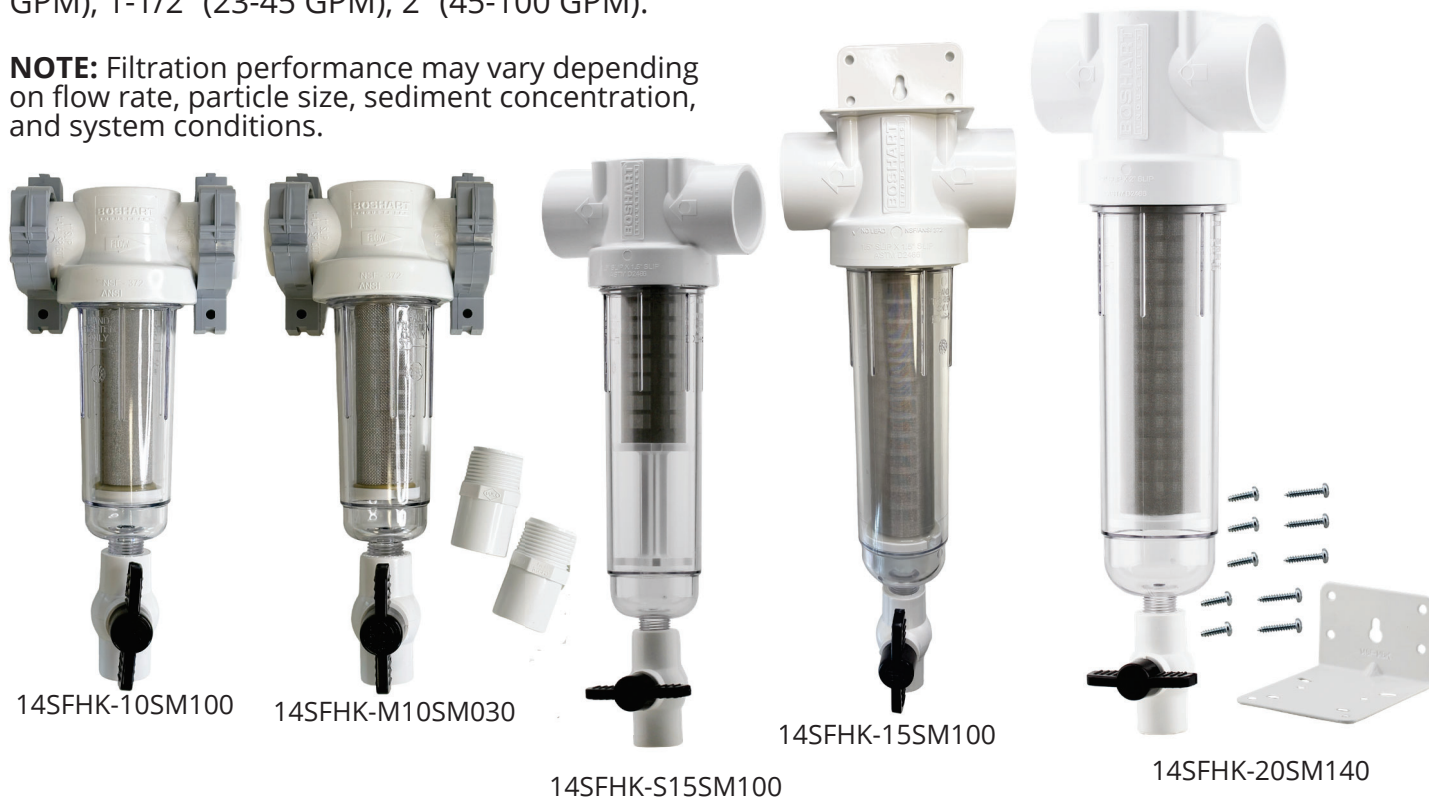
Spin-out filters are primarily used as pre-filters to remove coarse sediment ahead of finer filtration systems. By capturing larger debris, they help prevent downstream (finishing) filters from clogging, which extends cartridge life, reducing maintenance, and improving overall system performance. While they are most commonly used in rural water well systems, as well as agricultural and irrigation applications, they are often used in other commercial and industrial applications where particulate needs to be removed from the fluid media.

These filters are rated by mesh size, which defines the size of particles they remove. The higher the mesh rating, the finer the particulate removed.

Unlike traditional filters, spin-out filters create minimal pressure loss, making them the only type of filter suitable for installation on the suction side of a pump without restricting flow or causing cavitation.

Proper sizing is critical to performance. Spin-out filters rely on adequate water velocity to create the spinning action required for separation. Selecting a unit with a higher GPM rating than necessary or oversizing the filter can reduce this effect, resulting in decreased sediment removal efficiency. **DO NOT OVERSIZE!** Make sure to size the filter within the optimal flow rate. 1" (5-23 GPM), 1-1/2" (23-45 GPM), 2" (45-100 GPM).

NOTE: Filtration performance may vary depending on flow rate, particle size, sediment concentration, and system conditions.



User Responsibility Statement: It is the user's sole responsibility to determine the product's suitability for its intended use. For full details, visit Boshart Industries [Reference Documents](#) for our User Safety Responsibility Statement and other important documents.

BOSHART
INDUSTRIES

25 Whaley Avenue, PO Box 310, Milverton, ON CANADA N0K 1M0
Tel: 800-561-3164

VISIT US ONLINE AT BOSHART.COM

For more information on installation, adjustment, repair & operation, visit Boshart Knowledge Base at SUPPORT.BOSHART.COM



14SFHK-M(S)10 SERIES 1" SPIN-OUT FILTER/SEPARATOR HOUSING & KITS with male adapters

APPLICATION:

- Water Well and Municipal Water Supplies
- Agriculture
- Industrial / Commercial / Residential
- Irrigation

FEATURES:

- Compatible with Schedule 40 & 80 PVC Pipe
- Gripper Ribs on Filter Bowl - No tools Required to install / remove filter bowl
- Flush System - 1/2" MPT Connection for Purge Valve
- Suitable for Installation on either the Suction or Pressure Side of Pump
- Elements marked with mesh rating and replacement O-Ring for easy identification

SPECIFICATION:

- Inlet/Outlet Connection 1" Slip or 1-1/4" Spigot: ASTM D2466
- Threaded Connections: ASME/ANSI B1.20.1
- Filter Head Materials: ASTM D1784 - Grade 1 PVC
- Maximum Pressure Rating: 150 PSI @ 73°F (23°C)
- Maximum Temperature Rating: 100°F (38°C) @ 40 PSI
- Flow Rate: 1-25 GPM (Optimal Performance: 5-23 GPM)

KIT INCLUDES:

- Housing
- Purge Valve
- Filter or Separator Element (not included in basic unit 14SFHK-M10 or 14SFHK-MS10)
- Mounting Clamps and hardware
- 1" Spigot x 1" MPT Adapters - not installed

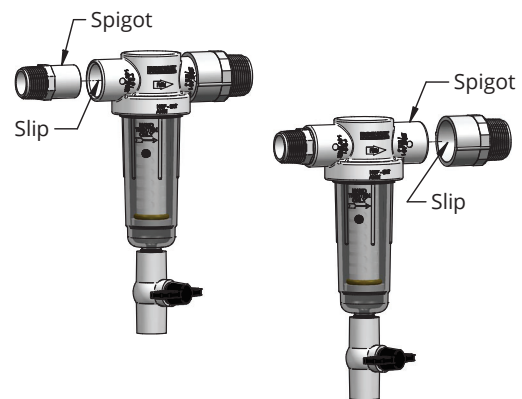
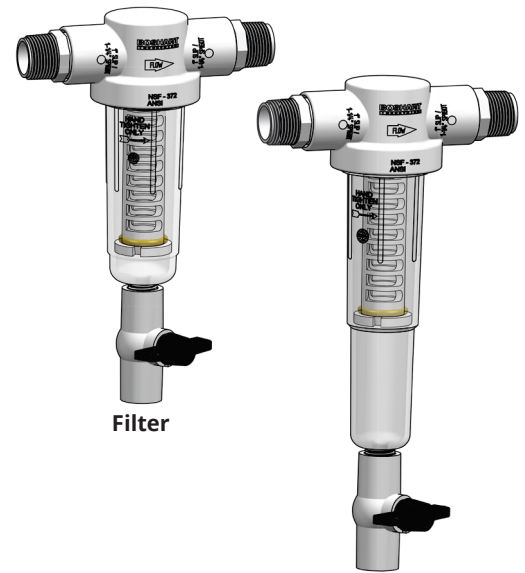
CERTIFICATION:

- NSF/ANSI Standard 372 Certified (Drinking Water System Components - Lead Content)

LEAD FREE

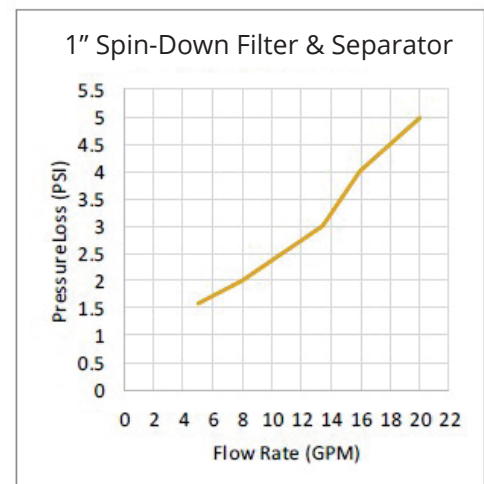


Certified by IAPMO R&T Against NSF/ANSI Standard 372 For Lead Free Compliance.



Pressure drop will be greater on a system operating at higher flow rates due to increased fluid velocity and friction losses across the separator.

MATERIAL LIST	
Part Name	Material
Head	HR-5009 Rigid Polyvinyl Chloride (PVC) (White)
Bowl	Polycarbonate Lexan 12R
Bowl O-Ring	Nitrile Butadiene Rubber (NBR)
Element Core	HR-5009 Rigid Polyvinyl Chloride (PVC) (White)
Element O-Ring	Nitrile Butadiene Rubber (NBR)
Screen	316 Stainless Steel
Purge Valve	Body: Polyvinyl Chloride (PVC) Handle: Acrylonitrile Butadiene Styrene (ABS) Seat: Thermoplastic Elastomer (TPE)
Mounting Clamp	Polyvinyl Chloride (PVC)
Adapters	SCH. 40 Polyvinyl Chloride (PVC) (White)



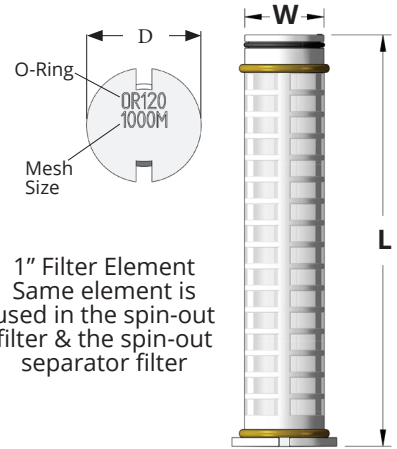
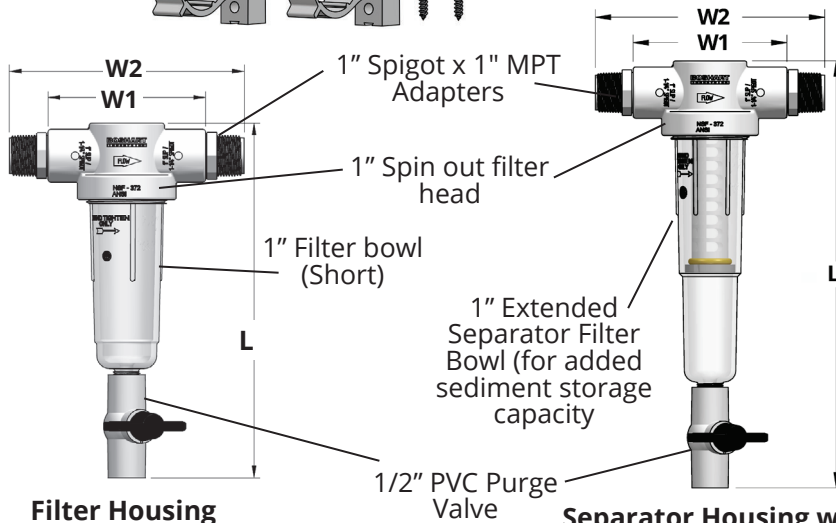
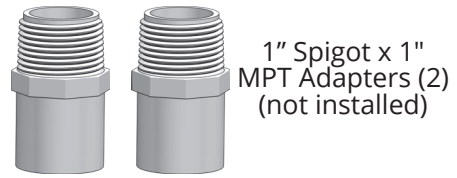
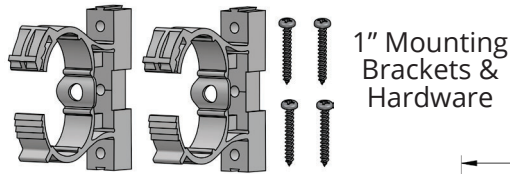
BOSHART
INDUSTRIES

25 Whaley Avenue, PO Box 310, Milverton, ON CANADA N0K 1M0
Tel: 800-561-3164

VISIT US ONLINE AT BOSHART.COM

For more information on installation, adjustment, repair & operation, visit Boshart Knowledge Base at SUPPORT.BOSHART.COM





Filter Housing without element
*14SFHK-M10

Separator Housing with 100 mesh element
14SFHK-MS10SM100

Filter & Separator Element

DIMENSIONS

Part No.	Filter Element			Complete Unit with Valve					Filter Element Only				Weight		
	Mesh Size	Micron	Opening	W1		W2		L		W		L		lbs	grams
				in	mm	in	mm	in	mm	in	mm	in	mm		
FILTER HOUSING ONLY (No Element)															
*14SFHK-M10	Basic Unit			4.97	126.2	7.41	188.2	11.21	248.7	—	—	—	—	1.12	509
SEDIMENT FILTER KIT (Housing & Element)															
14SFHK-M10SM024	24	711	0.0280	4.97	126.2	7.41	188.2	11.21	248.7	1.18	30.0	5.17	131.3	1.29	584
14SFHK-M10SM030	30	533	0.0232												
14SFHK-M10SM040	40	381	0.0165												
14SFHK-M10SM060	60	254	0.0100												
14SFHK-M10SM100	100	152	0.0060												
14SFHK-M10SM140	140	104	0.0040												
14SFHK-M10SM200	200	74	0.0029												
14SFHK-M10SM250	250	61	0.0024												
14SFHK-M10SM500	500	30	0.0012												
14SFHK-M10SM1000	1000	15	0.0006												
FILTER HOUSING ONLY (No Element)															
*14SFHK-MS10	Basic Unit			4.97	126.2	7.41	188.2	13.83	351.3	—	—	—	—	1.16	526
SEDIMENT SEPARATOR KIT (Housing & Element)															
14SFHK-MS10SM024	24	711	0.0280	4.97	126.2	7.41	188.2	13.83	351.3	1.18	30.0	5.17	131.3	1.33	601
14SFHK-MS10SM030	30	533	0.0232												
14SFHK-MS10SM040	40	381	0.0165												
14SFHK-MS10SM060	60	254	0.0100												
14SFHK-MS10SM100	100	152	0.0060												
14SFHK-MS10SM140	140	104	0.0040												
14SFHK-MS10SM200	200	74	0.0029												
14SFHK-MS10SM250	250	61	0.0024												
14SFHK-MS10SM500	500	30	0.0012												
14SFHK-MS10SM1000	1000	15	0.0006												



25 Whaley Avenue, PO Box 310, Milverton, ON CANADA N0K 1M0
Tel: 800-561-3164

VISIT US ONLINE AT BOSHART.COM

For more information on installation, adjustment, repair & operation, visit Boshart Knowledge Base at SUPPORT.BOSHART.COM



14SF-(S)(F)E - 316 STAINLESS STEEL MESH ELEMENTS

APPLICATION:

- Agriculture
- Industrial / Commercial
- Pre-treatment
- Whole House Residential
- Irrigation

FEATURES:

- Suitable for Installation on either the Suction or Pressure Side of Pump
- Elements marked with mesh rating and replacement O-Ring for easy identification

SPECIFICATION:

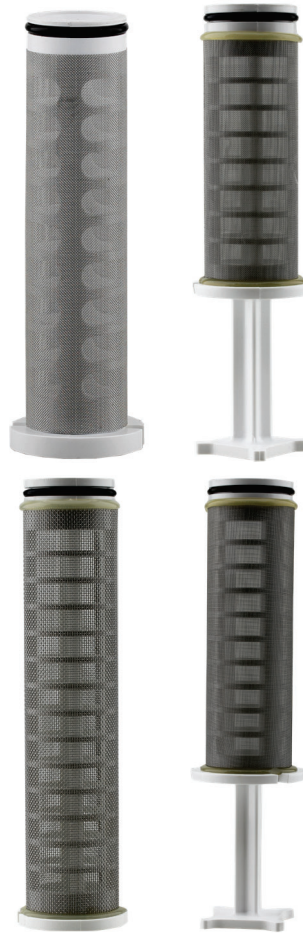
- Mesh Material: 316 Stainless Steel

CERTIFICATION:

- NSF/ANSI Standard 372 Certified (Drinking Water System Components - Lead Content)

RATINGS:

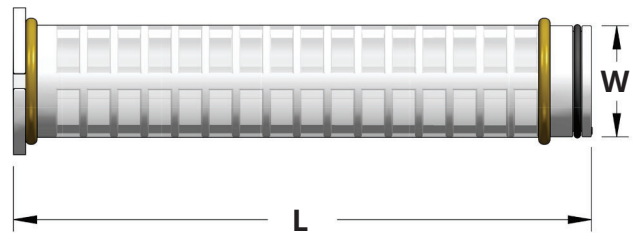
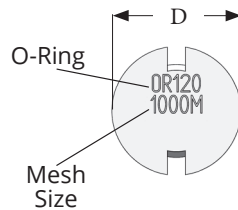
- Max Temperature Rating: Up to 100°F (38°C) @ 40 PSI
- Max Pressure Rating: 150 PSI @ 73°F (23°C)



MATERIAL LIST	
Part Name	Material
Element Core	HR-5009 RIGID Polyvinyl Chloride (PVC) (White)
Element O-Ring	Buna-N (Size AS568-216)
Screen	316 Stainless Steel

SCREEN SIZES #316 STAINLESS STEEL		
Sediment Type	Mesh	Microns
Shell, shale	24	711
Shell, debris	30	533
Coarse sand, pipe scale	40	381
Coarse sand, pipe scale	60	254
Fine sand	100	152
Fine sand	140	104
Pre-filter, extra fine sand	200	80
Pre-filter, extra fine sand	250	61
Pre-filter, extra fine sand	500	30
Pre-filter, extra fine sand	1000	15

If housing has been purchased separately and not as a kit, you will need to purchase the filter element



1" or 1-1/4" Filter/Separator

DIMENSIONS										
Part No.	Flow Rate	Mesh Size	Micron Rating	Opening Size	W		L		Weight	
					in	mm	in	mm	lbs	grams
1" OR 1-1/4" FILTER/SEPARATOR ELEMENT										
14SF-FE10SM024	1-25 GPM	24	711	0.0280	1.18	30.0	5.17	131.32	1.15	520
14SF-FE10SM030		30	533	0.0232	1.18	30.0	5.17	131.32	1.15	520
14SF-FE10SM040		40	381	0.0165	1.18	30.0	5.17	131.32	1.15	520
14SF-FE10SM060		60	254	0.0100	1.18	30.0	5.17	131.32	1.15	520
14SF-FE10SM100		100	152	0.0060	1.18	30.0	5.17	131.32	1.15	520
14SF-FE10SM140		140	104	0.0040	1.18	30.0	5.17	131.32	1.15	520
14SF-FE10SM200		200	74	0.0029	1.18	30.0	5.17	131.32	1.15	520
14SF-FE10SM250		250	61	0.0024	1.18	30.0	5.17	131.32	1.15	520
14SF-FE10SM500		500	30	0.0012	1.18	30.0	5.17	131.32	1.15	520
14SF-FE10SM1000		1000	15	0.0006	1.18	30.0	5.17	131.32	1.15	520



25 Whaley Avenue, PO Box 310, Milverton, ON CANADA N0K 1M0
Tel: 800-561-3164

VISIT US ONLINE AT BOSHART.COM

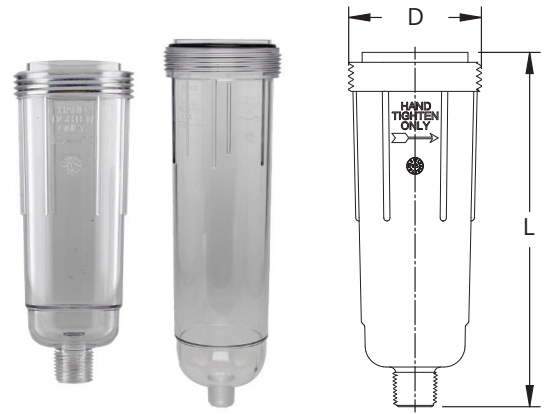
For more information on Installation, adjustment, repair & operation, visit Boshart Knowledge Base at SUPPORT.BOSHART.COM



REPLACEMENT PARTS & ACCESSORIES:

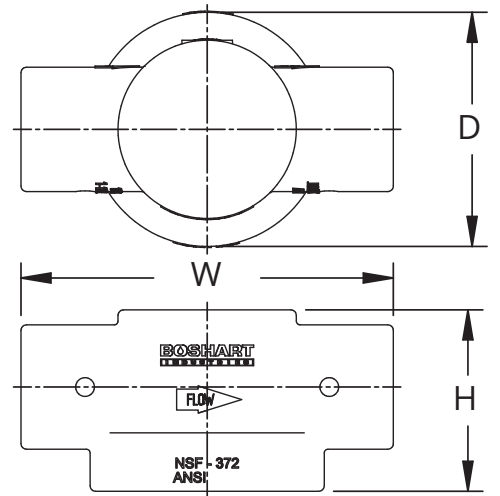
Filter Bowl

Part No.	Description	L		D	
		in	mm	in	mm
14SF-FB10	For 1" filter	6.70	170.18	2.51	63.75
14SF-FB10XS	For 1" separator	9.35	237.49	2.51	63.75
14SF-FB15	For 1-1/2" filter & separator	9.97	253.24	2.83	71.88
14SF-FB20	For 2" filter & separator	11.15	283.21	3.41	86.61

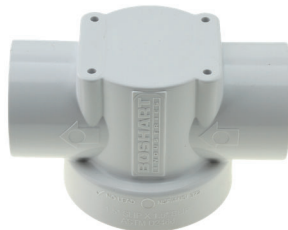


Filter Head

Part No.	Description	D		H	
		in	mm	in	mm
14SF-FH10-BII	For 1" filter and separator	3.12	79.25	2.42	61.47
14SF-FH15-BII	For 1-1/2" filter & separator	3.38	85.85	3.25	82.55
14SF-FH20-BII	For 2" filter & separator	3.98	101.09	4.66	118.36



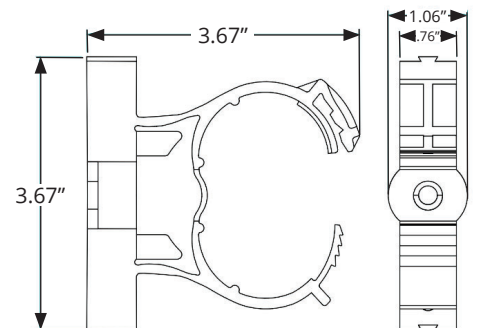
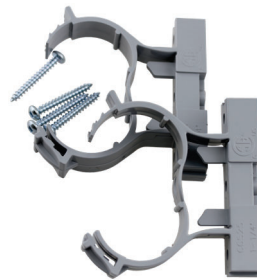
14SF-FH10-BII



14SF-FH10-BII
&
14SF-FH20-BII

Clamp Kit

Part No.	Description
14SF-MCK10	For 1" filter & separator - comes with 2 clamps and hardware



25 Whaley Avenue, PO Box 310, Milverton, ON CANADA N0K 1M0
Tel: 800-561-3164

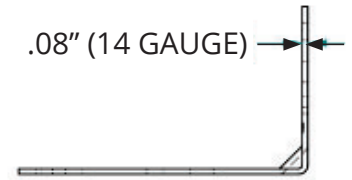
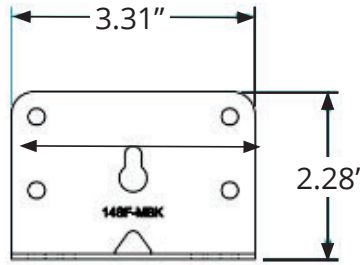
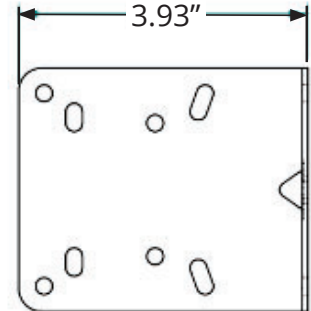
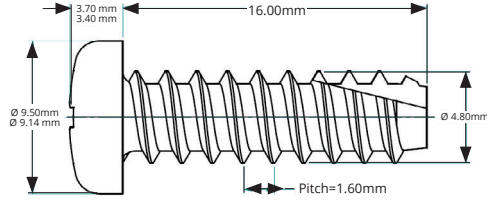
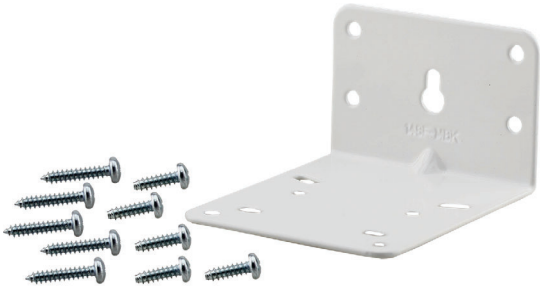
VISIT US ONLINE AT BOSHART.COM

For more information on installation, adjustment, repair & operation, visit Boshart Knowledge Base at SUPPORT.BOSHART.COM



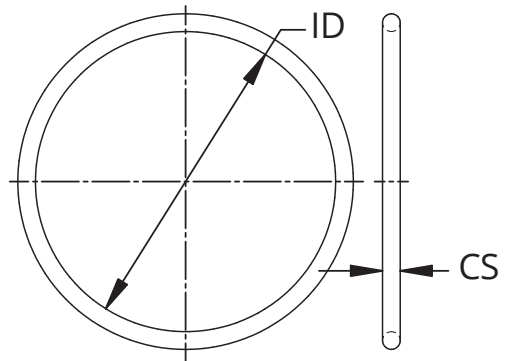
Mounting Bracket

Part No.	Description
14SF-MBK	For 1-1/2" & 2" filter & separator - bracket with hardware



O-Ring Kit

Part No.	Description	Dimensions
14SF-ORK10	1" - includes AS568-120 & AS568-226	AS568-120 - 0.987" ID x 0.103" CS (25.07mm ID x 2.62mm CS) AS568-226 - 1.984" ID x 0.139" CS (50.39mm ID x 3.53mm CS)
14SF-ORK15	1-1/2" - includes AS568-216 & AS568-229	AS568-216 - 1.109" ID x 0.139" CS (28.17mm ID x 3.53mm CS) AS568-229 - 2.359" ID x 0.139" CS (59.92mm ID x 3.53mm CS)
14SF-ORK20	2" - includes AS568-220 & AS568-232	AS568-220 - 1.359" ID x 0.139" CS (34.52mm ID x 3.53mm CS) AS568-232 - 2.734" ID x 0.139" CS (69.44mm ID x 3.53mm CS)



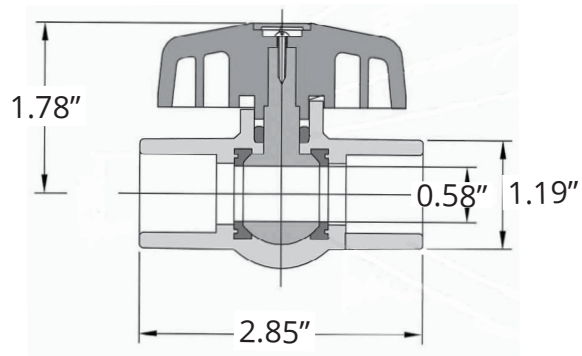
25 Whaley Avenue, PO Box 310, Milverton, ON CANADA N0K 1M0
Tel: 800-561-3164

VISIT US ONLINE AT BOSHART.COM

For more information on installation, adjustment, repair & operation, visit Boshart Knowledge Base at SUPPORT.BOSHART.COM

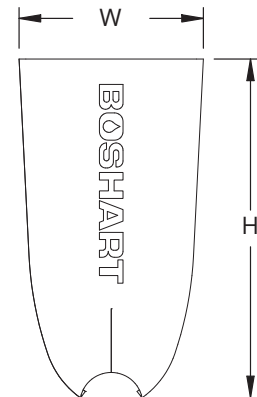
Purve Valve

Part No.	Description
0929-05	1/2" PVC Ball Valve



UV Cover

- Boshart UV Covers are commonly used in irrigation, well water, agricultural, and industrial filtration applications. They are designed to protect spin-out filters from UV exposure, weather, and physical damage while helping to inhibit algae growth caused by sunlight. Ideal for filters installed outdoors, in direct sunlight, or in algae-prone applications, these covers extend the lifespan of the filter body and help maintain water quality and system performance. Made from durable neoprene, they are installed by slipping over the clear filter bowl without the need for tools.



Part No.	Description	H		W	
		in	mm	in	mm
14SF-FB10-UVCG	1" Spin-Out Filter Neoprene UV Cover	6.28	159.51	3.42	86.87
	Fits 14SFHK-10, 14SFHK-10SMxxx, 14SFHK-M10, 14SFHK-M10SMxxx				
14SF-FB10XS-UVCG	1" Spin-Out Separator (Extended Bowl) Neoprene UV Cover	8.67	220.22	3.20	81.28
	Fits 14SFHK-S10, 14SFHK-S10SMxxx, 14SFHK-MS10, 14SFHK-MS10SMxxx				
14SF-FB15-UVCG	1-1/2" Spin-Out Filter/Separator Neoprene UV Cover	9.17	232.92	3.66	92.96
	Fits 14SFHK-15, 14SFHK-15SMxxx				
14SF-FB20-UVCG	2" Spin-Out Filter/Separator Neoprene UV Cover	10.20	259.08	4.65	118.11
	Fits 14SFHK-20, 14SFHK-20SMxxx				



25 Whaley Avenue, PO Box 310, Milverton, ON CANADA N0K 1M0
Tel: 800-561-3164

VISIT US ONLINE AT BOSHART.COM

For more information on installation, adjustment, repair & operation, visit Boshart Knowledge Base at SUPPORT.BOSHART.COM

