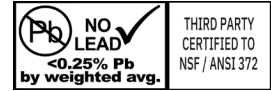


# 0852NL SERIES NO LEAD BRASS HOSE BIBB QUARTER TURN

## SPECIFICATION:

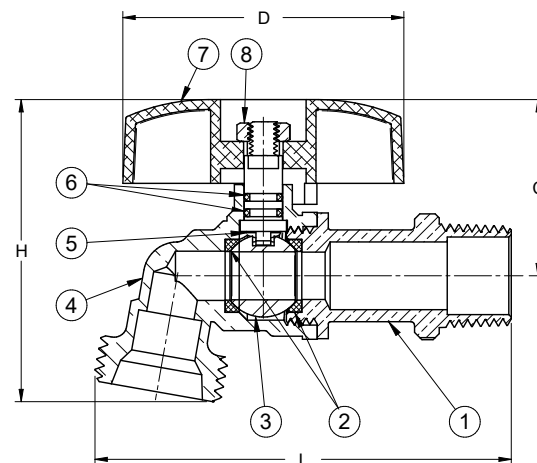
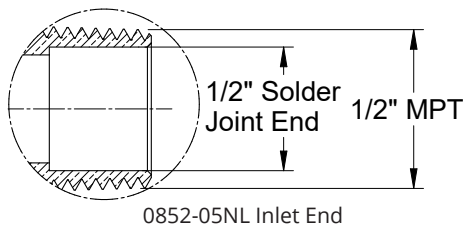
- Inlet Threads conform to ANSI/ASME B1.20.1
- 1/2" has combination MPT & 1/2" solder inlet connection
- Solder ends comply with ANSI B16.18
- Max Pressure Rating: 125 PSI
- Max Temperature Rating: 248°F (120°C)
- Standard Port
- Hose thread outlet 3/4" GHT
- Stem Seal: Double O-ring
- Black cast handle
- Forged brass body
- Blow-out proof stem



## CERTIFICATION:

- NSF/ANSI Standard 61 & 372 Certified

MATERIAL LIST		
Part No.	Part Name	Material
1	End Cap	C46500 NL Brass
2	Seat	PTFE
3	Ball	Chrome Plated C46500 NL Brass
4	Body	C46500 NL Brass
5	Stem	C37700 Brass
6	Stem O-Ring	EPDM
7	Handle	Alumnum
8	Handle Nut	Chrome Plated Steel



DIMENSIONS											
Part No.	Inlet Connection	D		H		L		C		Weight	
		inches	mm	inches	mm	inches	mm	inches	mm	grams	lbs
0852-05NL	1/2" MPT	2.28	58.00	2.44	62.00	3.35	85.00	1.38	35.00	185	0.408
0852-07NL	3/4" MPT	2.28	58.00	2.80	71.00	3.78	96.00	1.52	38.50	230	0.507



25 Whaley Avenue, PO Box 310, Milverton, ON CANADA N0K 1M0  
Tel: 800-561-3164

[boshart.com](http://boshart.com) ♦ [blog.boshart.com](http://blog.boshart.com)