

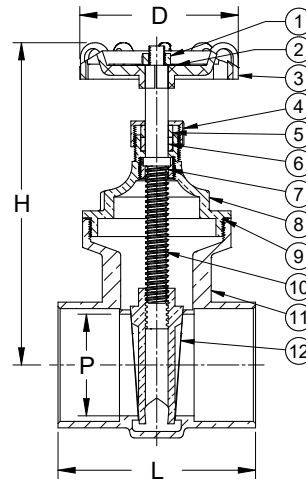
0818CNL SERIES NO LEAD BRASS FULL PORT GATE VALVE (CXC)

SPECIFICATION:

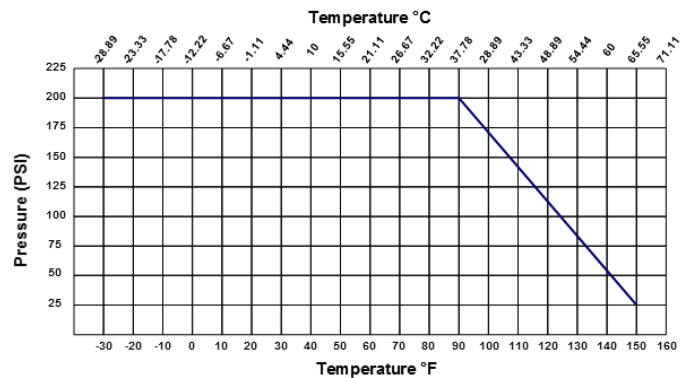
- Sweat Ends conform to ANSI / ASME B16.18
- Max Pressure Rating: 200 PSI CWP
- CWP - Cold Working Pressure, is an indication of the pressure rating for valves at a temperature of up to +100°F (37°C)
- Max temp rating: 150°F (66°C)
- Full Port
- Cast no lead brass body
- Non-rising stem
- Black cast hand wheel

CERTIFICATION:

- NSF/ANSI Standard 61 Certified



MATERIAL LIST		
Part No.	Part Name	Material
1	Wheel Nut	Brass Plated Steel
2	Name Plate	Aluminium
3	Hand Wheel	Black powder coated cast iron
4	Packing Nut	C89550 NL Brass
5	Gland Ring	C89550 NL Brass
6	Gland Packing	PTFE
7	Lock Nut	C89550 NL Brass
8	Bonnet	C89550 NL Brass
9	Bonnet Packing	Fibre
10	Stem	C89550 NL Brass
11	Body	C89550 NL Brass
12	Disc	C89550 NL Brass



DIMENSIONS												
Part No.	Description	Cv	P		D		L		H		Weight	
			inches	mm	inches	mm	inches	mm	inches	mm	grams	lbs
0818C-05NL	1/2" CxC	9.75	0.53	13.50	2.08	53.00	1.69	43.00	2.91	74.00	250	0.551
0818C-07NL	3/4" CxC	18.84	0.75	19.00	2.12	54.00	2.32	59.00	3.30	84.00	375	0.827
0818C-10NL	1" CxC	31.82	0.98	25.00	2.48	63.00	2.71	69.00	3.89	99.00	540	1.190
0818C-12NL	1-1/4" CxC	48.83	1.26	32.00	2.71	69.00	2.93	74.50	4.60	117.00	720	1.587
0818C-15NL	1-1/2" CxC	74.65	1.50	38.00	3.15	80.00	3.32	84.50	5.07	129.00	999	2.202
0818C-20NL	2" CxC	86.44	1.93	49.00	3.52	89.50	3.97	101.00	5.98	152.00	1414	3.117

The flow Coefficient (Cv) is the number of U.S. gallons that can pass through a valve when it is in the fully opened position at a pressure drop of 1 PSI. Testing is typically done by running water (specific gravity of 1.0 centistoke viscosity) at 60°F (°C).

BOSHART
INDUSTRIES

25 Whaley Avenue, PO Box 310, Milverton, ON CANADA N0K 1M0
Tel: 800-561-3164

boshart.com ♦ blog.boshart.com