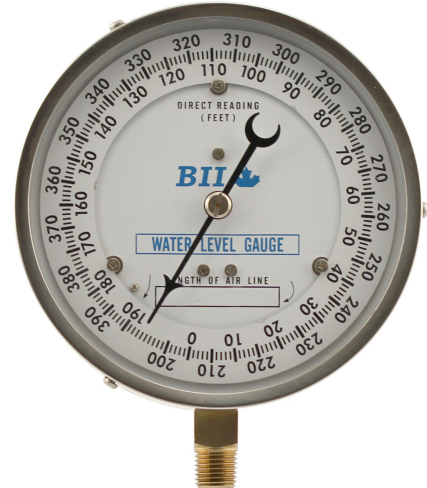


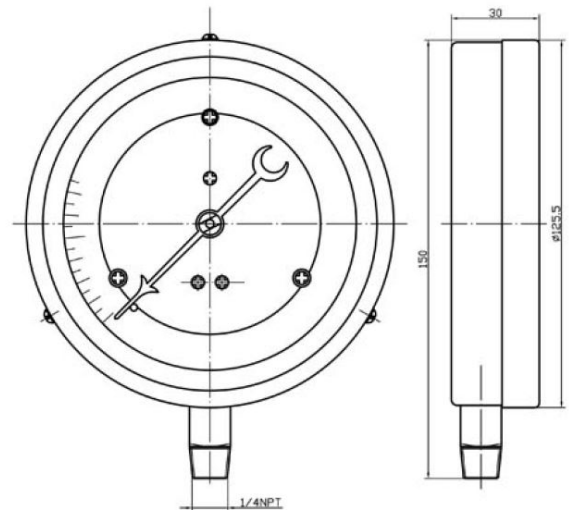
4-1/2" WATER LEVEL GAUGE LOWER MOUNT

APPLICATION:

- Used to indicate the depth of water in a well
- The gauge and air line reaching well bottom are charged with air. The pressure required to permit air to escape from the end of the air line is a measure of the head of water above the end of the air line.
- Length of air line may be set on adjustable dial to permit reading water level in feet below the ground level.



GAUGE SPECIFICATIONS	
Standard	ASME B40.1
Dial	4-1/2" (114mm) white aluminum rotating dial
Case	304 Stainless Steel
Lens	Acrylic
Ring (Bezel)	304 Stainless Steel
Connection	Brass
Bourdon Tube	Bronze
Fill Liquid	N/A
Movement	Brass
Pointer	Brass (Anodized Black)
Welding	Tin Solder
Working Pressure	Maximum 75% of Full Scale Value (F.S.V.)
Ambient Op. Temp.	-40°F to 140°F (-40°C to 60°C)
Media Op. Temp.	Max. 140°F (60°C)
Accuracy	3-2-3% of full scale Grade B
Enclosure Rating	General Purpose



DIMENSIONS				
Part No.	Connection	Range	Increments	Weight
				grams
PG45-WL	1/4" MPT	0-390' H ₂ O	0.2	380

BOSHART
INDUSTRIES

25 Whaley Avenue, PO Box 310, Milverton, ON CANADA N0K 1M0
Tel: 800-561-3164

boshart.com ♦ blog.boshart.com