

# WSEG, WSEB, WSESS, GVA, BVA, & SSVA SERIES - INSERT FITTINGS

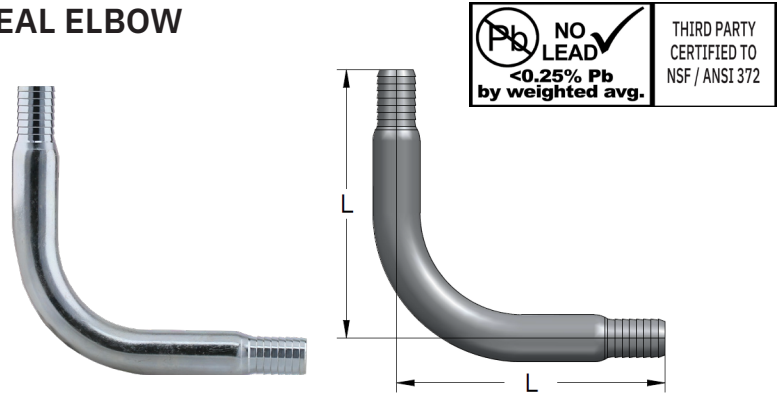
## SPECIFICATIONS:

- For use with ASTM D2239 PE plastic pipe (Standard Specification for Polyethylene (PE) Pipe (SIDR-PR) Based on Controlled Inside Diameter).
- Designed for use with 50 PSI utility pipe, 75 and 100 PSI pipe, and any other PE pipe with inside diameters conforming to ASTM D2239.
- System operating pressures and temperatures are limited by the maximum operating pressures and temperatures of the ASTM D2239 PE plastic pipe. Always refer to the PE pipe manufacturer's pressure and temperature ratings.
- Insert fittings are intended for cold water applications, including irrigation, well service, and potable water applications. These products are not to be used with compressed gases.
- Fittings must be protected from freezing temperatures where fluid expansion due to freezing could occur.
- For use in potable water systems, the use of pipe certified to CSA B137.1 is recommended.

## WSEG SERIES - ZINC PLATED STEEL WELL SEAL ELBOW

- Made from no lead, zinc plated steel (ASTM A53)
- Poly insert barb x Poly insert barb
- Sweep design reduces friction loss and improves pumping efficiency
- NSF/ANSI 372 Certified

DIMENSIONS				
Part No.	Size	L		Weight grams
		in	mm	
WSEG-100NL	1"	7.50	190.5	706
WSEG-125NL	1-1/4"	8.25	209.6	1004



## GVA SERIES - ZINC PLATED STEEL VENTURI ADAPTER

DIMENSIONS				
Part No.	Size	L		Weight grams
		in	mm	
GVA-100-06NL	1"	6.0	152.4	267
GVA-100-10NL	1"	10.0	254.0	481
GVA-125-06NL	1-1/4"	6.0	152.4	377
GVA-125-10NL	1-1/4"	10.0	254.0	675

- Made from no lead, zinc plated steel (ASTM A53)
- MPT x Poly insert barb
- Threads conform to ANSI/ASME B1.20.1
- NSF/ANSI 372 Certified



PRESSURE & TEMPERATURE RATINGS FOR ZINC PLATED STEEL INSERT FITTINGS			
Temperature		Pressure	
°F	°C	PSI	bar
73.4	23	400	27.6
150	65.5	300	20.7
200	93.3	265	18.3
250	121.1	225	15.5
300	148.8	165	11.4
350	176.6	150	10.3
400	204.4	125	8.6

For operating pressures over the stated maximum pressure or for temperatures over 73.4 °F (23 °C), independent testing by the end user is recommended. It is solely the user's responsibility to determine the suitability of the fitting for the intended service.

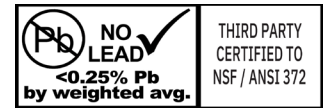
**BOSHART**  
INDUSTRIES

25 Whaley Avenue, PO Box 310, Milverton, ON CANADA N0K 1M0  
Tel: 800-561-3164

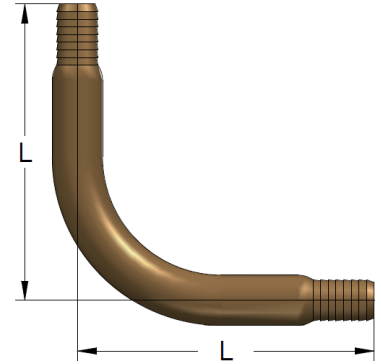
[boshart.com](http://boshart.com) ♦ [blog.boshart.com](http://blog.boshart.com)

## WSEB SERIES - RED BRASS WELL SEAL ELBOW

- Made from no lead red brass (C23000)
- Poly insert barb x Poly insert barb
- Sweep design reduces friction loss and improves pumping efficiency
- NSF/ANSI 372 Certified (No lead test criteria <0.25% Pb by weighted average)



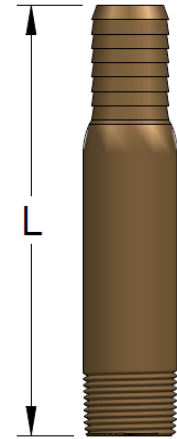
DIMENSIONS				
Part No.	Size	L		Weight grams
		in	mm	
WSEB-100	1"	7.75	196.9	835
WSEB-125	1-1/4"	10.25	260.4	1666



## BVA SERIES - RED BRASS VENTURI ADAPTER

- Made from no lead red brass (C23000)
- MPT x Poly insert barb
- Threads conform to ANSI/ASME B1.20.1
- NSF/ANSI 372 Certified (No lead test criteria <0.25% Pb by weighted average)

DIMENSIONS				
Part No.	Size	L		Weight grams
		in	mm	
BVA-100-06	1"	6.0	152.4	333
BVA-100-10	1"	10.0	254.0	601
BVA-125-06	1-1/4"	6.0	152.4	497
BVA-125-10	1-1/4"	10.0	254.0	880

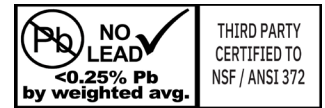


PRESSURE & TEMPERATURE RATINGS FOR RED BRASS INSERT FITTINGS				
Temperature		Pressure		
°F	°C	PSI	bar	
73.4	23	400	27.6	
150	65.5	200	13.8	
200	93.3	190	13.1	
250	121.1	180	12.4	
300	148.8	165	11.4	
350	176.6	150	10.3	
400	204.4	125	8.6	

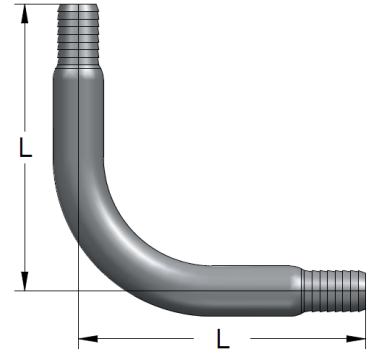
For operating pressures over the stated maximum pressure or for temperatures over 73.4 °F (23 °C), independent testing by the end user is recommended. It is solely the user's responsibility to determine the suitability of the fitting for the intended service.

## WSESS SERIES - STAINLESS STEEL WELL SEAL ELBOW

- Made from 304 Stainless Steel
- Poly insert barb x Poly insert barb
- Sweep design reduces friction loss and improves pumping efficiency
- NSF/ANSI 372 Certified (SS alloys do not contain any lead, 0.00% Pb)



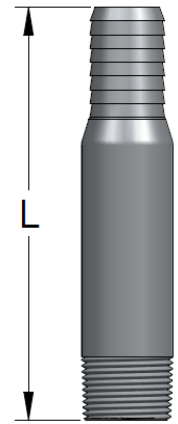
DIMENSIONS				
Part No.	Size	L		Weight grams
		in	mm	
WSESS-100	1"	7.50	190.5	726
WSESS-125	1-1/4"	8.25	209.6	1031



## SSVA SERIES - STAINLESS STEEL VENTURI ADAPTER

- Made from 304 Stainless Steel
- MPT x Poly insert barb
- Threads conform to ANSI/ASME B1.20.1
- NSF/ANSI 372 Certified (SS alloys do not contain any lead, 0.00% Pb)

DIMENSIONS				
Part No.	Size	L		Weight grams
		in	mm	
SSVA-100-06	1"	6.0	152.4	274
SSVA-100-10	1"	10.0	254.0	493
SSVA-125-06	1-1/4"	6.0	152.4	386
SSVA-125-10	1-1/4"	10.0	254.0	691



PRESSURE & TEMPERATURE RATINGS FOR 304 STAINLESS STEEL INSERT FITTINGS			
Temperature		Pressure	
°F	°C	PSI	bar
73.4	23	400	27.6
150	65.5	300	20.7
200	93.3	265	18.3
250	121.1	225	15.5
300	148.8	165	11.4
350	176.6	150	10.3
400	204.4	125	8.6

For operating pressures over the stated maximum pressure or for temperatures over 73.4 °F (23 °C), independent testing by the end user is recommended. It is solely the user's responsibility to determine the suitability of the fitting for the intended service.

For more information on installation, adjustment, repair & operation, visit Boshart Knowledge Base at

SUPPORT.BOSHART.COM



**BOSHART**  
INDUSTRIES

25 Whaley Avenue, PO Box 310, Milverton, ON CANADA N0K 1M0  
Tel: 800-561-3164

boshart.com ♦ blog.boshart.com