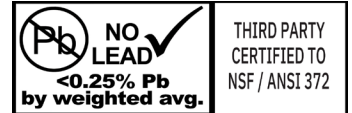


0827NL SERIES NO LEAD FORGED BRASS FULL PORT BALL VALVE (THREADED)

SPECIFICATION:

- Threads conform to ANSI / ASME B1.20.1
- Rated 600 PSI CWP -Cold Working Pressure is an indication of the pressure rating for valves at a temperature range of up to +100°F (37°C)
- Working Temperature: -20°~300°F (-28°~149°C)
- Full port
- Forged brass body
- Blow-out proof stem
- Solid Stainless Steel Ball - sizes 1/4" through 1"
- Hollow Stainless Steel Ball - sizes 1-1/4" through 4"
- Chrome plated steel handle with yellow plastic sleeve

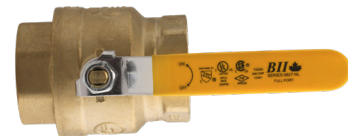
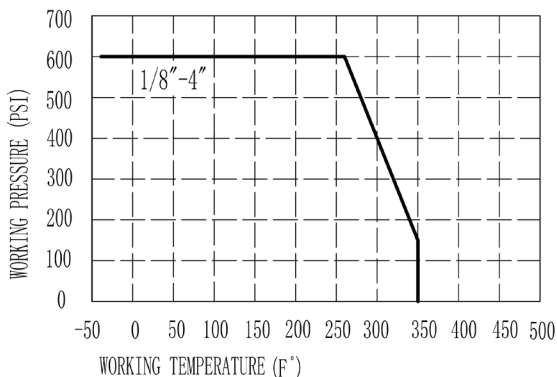


CERTIFICATION:

- NSF/ANSI Standard 61 & 372 Certified
 - cUPC Standard Z1157 Certified
 - CSA listed to the following standards, \diamond applies to 1/4" to 2" FPT only
 - ANSI Z21.15 & CGA 9.1: 1/2 PSIG (1/2 PSI)
 - ASME B16.44 & CGA/CR91-002: 5 PSIG (5G)
 - ASME B16.38 & CAN/CGA 3.16 : 125 PSIG (BRS125G / CAN 3.16)
 - UL listed to the following standards,
 - UL 1477 (YQNZ): Compressed gas shutoff valves - 600 PSI (1/4" to 1") 300 PSI (1-1/4" to 2")250PSI (2-1/2"-4")
 - UL 842 (YRBX): Flammable liquid shutoff valves - 600 PSI (1/4" to 1") 300 PSI (1-1/4" to 2")250PSI (2-1/2"-4")
 - UL 842 (YRPV): Gas shutoff valves - 600 PSI (1/4" to 1") 300 PSI (1-1/4" to 2")250PSI (2-1/2"-4")
 - UL 842 (MHKZ): Manual valves - 600 PSI (1/4" to 1") 300 PSI (1-1/4" to 2")250PSI (2-1/2"-4")
 - UL 125 (YSDT): LP-Gas shutoff valves - 600 PSI (1/4" to 1") 300 PSI (1-1/4" to 2")250PSI (2-1/2"-4")FM
- Standard 1140 Certified: 1/4" to 2" FPT
- CRN Registered



PRESSURE & TEMPERATURE RATING



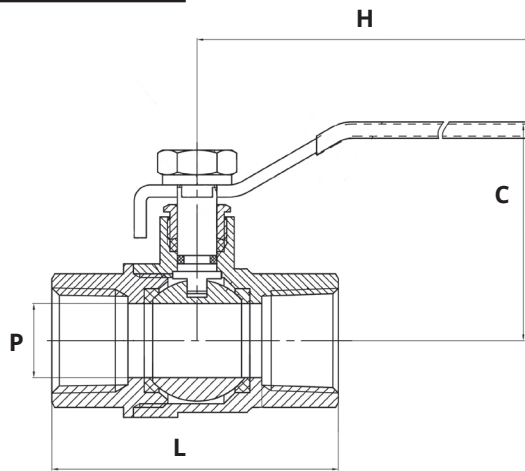
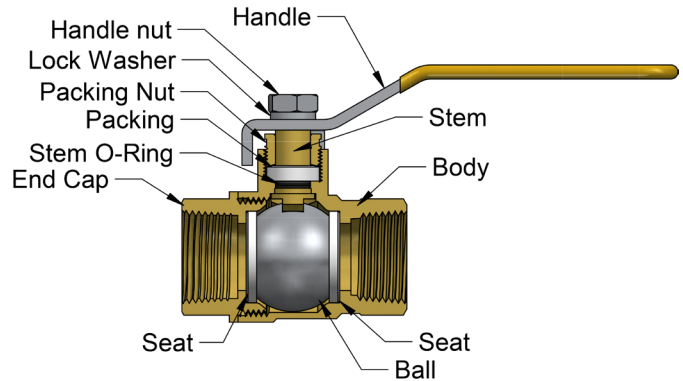
BOSHART
INDUSTRIES

25 Whaley Avenue, PO Box 310, Milverton, ON CANADA N0K 1M0
Tel: 800-561-3164

boshart.com ♦ blog.boshart.com

0827NL SERIES NO LEAD FORGED BRASS FULL PORT BALL VALVE (THREADED)

| MATERIAL LIST | |
|---------------|---|
| Part Name | Material |
| Body/End Cap | C46500 NL Brass |
| Seat | PTFE |
| Ball | SS304 Stainless Steel |
| Stem O-Ring | NBR Rubber |
| Packing Nut | C37700 Brass |
| Stem | C37700 Brass (1/4" - 2") SS304 Stainless Steel (2-1/2" - 4") |
| Handle Nut | Zinc Plated Steel |
| Lock Washer | Zinc Plated Steel |
| Packing | PTFE |
| Handle | Chrome Plated Steel |



| DIMENSIONS | | | | | | | | | | | |
|------------|-------------|-----------|----------|-------|--------|--------|--------|--------|--------|--------|-----------------|
| Part No. | Description | Cv Rating | P (Port) | | L | | H | | C | | Weight grams |
| | | | inches | mm | inches | mm | inches | mm | inches | mm | |
| 0827-02NL | 1/4" FPT | 8.23 | 0.39 | 10.00 | 1.73 | 44.00 | 3.46 | 88.00 | 1.68 | 42.70 | 140 |
| 0827-03NL | 3/8" FPT | 8.23 | 0.39 | 10.00 | 1.75 | 44.50 | 3.46 | 88.00 | 1.68 | 42.70 | 140 |
| 0827-05NL | 1/2" FPT | 18.55 | 0.59 | 15.00 | 2.24 | 57.00 | 3.46 | 88.00 | 1.81 | 46.00 | 200 |
| 0827-07NL | 3/4" FPT | 29.76 | 0.75 | 19.00 | 2.52 | 64.00 | 4.29 | 109.00 | 2.09 | 53.20 | 330 |
| 0827-10NL | 1" FPT | 51.55 | 0.98 | 25.00 | 2.97 | 75.50 | 4.29 | 109.00 | 2.25 | 57.20 | 510 |
| 0827-12NL | 1-1/4" FPT | 84.42 | 1.26 | 32.00 | 3.44 | 87.50 | 5.63 | 143.00 | 2.53 | 64.20 | 760 |
| 0827-15NL | 1-1/2" FPT | 131.93 | 1.57 | 40.00 | 3.88 | 98.50 | 5.63 | 143.00 | 2.74 | 69.70 | 1060 |
| 0827-20NL | 2" FPT | 200.35 | 1.94 | 49.30 | 4.29 | 109.00 | 5.63 | 143.00 | 3.04 | 77.20 | 1510 |
| 0827-25NL | 2-1/2" FPT | 338.43 | 2.52 | 64.00 | 9.45 | 240.03 | 5.22 | 132.59 | 4.72 | 119.89 | 3115 |
| 0827-30NL | 3" FPT | 445.44 | 2.89 | 73.50 | 9.45 | 240.03 | 5.77 | 146.56 | 5.32 | 135.13 | 4125 |
| 0827-40NL | 4" FPT | 783.88 | 3.84 | 97.50 | 9.53 | 242.06 | 7.38 | 187.45 | 5.70 | 144.78 | 7450 |

BOSHART
INDUSTRIES

25 Whaley Avenue, PO Box 310, Milverton, ON CANADA N0K 1M0
Tel: 800-561-3164

boshart.com ♦ blog.boshart.com