

PA-NL SERIES NO LEAD BRONZE PITLESS ADAPTER

APPLICATIONS:

- Designed to make raising a submersible pump for service or replacement easier

FEATURES:

- Heavy duty castings
- Large gaskets ensure positive seal to well casing
- Chamfered slide for easy installation

SPECIFICATION:

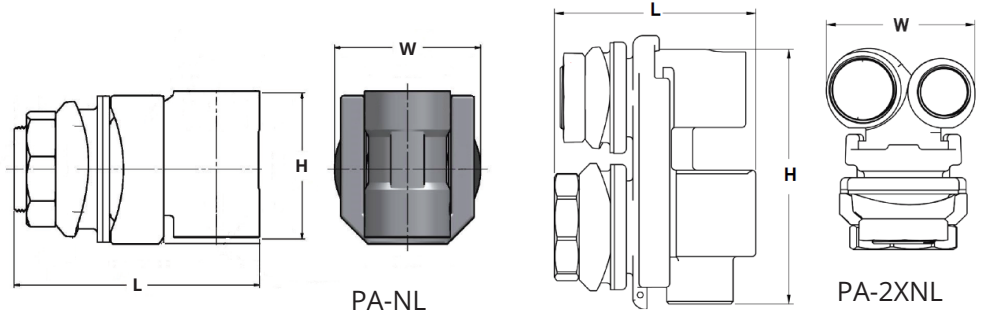
- Threads conform to ANSI/ASME B1.20.1
- Fits 4-1/2" to 12" I.D. casing sizes

CERTIFICATION:

- NSF/ANSI Standard 372 Certified
- Water Systems Council listed PAS-97 (2017)*



MATERIAL LIST	
Name	Materials
Elbow	No Lead Bronze
Slide	No Lead Bronze
O-ring	NBR Rubber
Gaskets	NBR Rubber
Washer	No Lead Bronze
Nut	No Lead Bronze



DIMENSIONS													
Part No.	Drop Pipe Size	Casing Size I.D.	Hole Saw Size	Replacement O-ring		Working Load	H		L		W		Weight
	Inches	Inches	Inches	Standard	Part No.		lbs	in	mm	in	mm	in	
Single Drop Pipe													
PA-800NL	1	5 - 12	1-3/4	AS568-324	09-PA-100-OR-324	900	2.84	72.14	4.35	110.49	2.72	69.09	1334
PA-100NL *	1	5 - 12	1-3/4	AS568-324	09-PA-100-OR-324	2000	2.77	70.36	4.47	113.54	2.66	67.56	1432
PA-125NL *	1-1/4	5 - 12	2-1/8	AS568-326	09-PA-125-OR-326	2000	3.15	80.01	5.16	131.06	3.15	80.01	2389
PA-200NL *	2	5-5/8 - 12	3-1/8	AS568-332	09-PA-200-OR-332	5000	4.75	120.65	6.76	171.70	4.55	115.57	6380
Double Drop Pipe													
PA-2XNL *	1 & 1-1/4	4-1/2 - 12	1-3/4 & 2-1/8	AS568-325	09-PA-2X-ORK	2000	6.40	162.56	5.06	128.52	3.73	94.74	3670

* These parts certified under Water Systems Council listed PAS-97 (2017)



25 Whaley Avenue, PO Box 310, Milverton, ON CANADA N0K 1M0
Tel: 800-561-3164

boshart.com ♦ blog.boshart.com