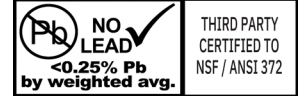


# 0825CNL SERIES NO LEAD FORGED FULL PORT BRASS BALL VALVE (CxC)

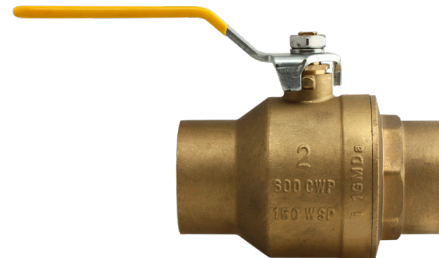
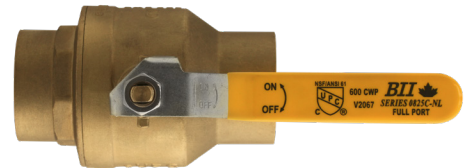
## SPECIFICATION:

- Solder ends comply with ANSI B16.18
- Rated 600 PSI CWP Cold Working Pressure is an indication of the pressure rating for valves at a temperature range of up to +100°F (37°C)
- Temperature Range: -20 to 300°F (-28 to 149°C)
- Full port
- WSP (Working Steam Pressure) Rating: 150 PSI Saturated Steam
- Forged brass body
- Blow-out proof stem
- Solid Stainless Steel Ball - sizes 1/2" through 3/4"
- Hollow Stainless Steel Ball - sizes 1" through 2"
- Zinc plated steel handle with yellow plastic sleeve

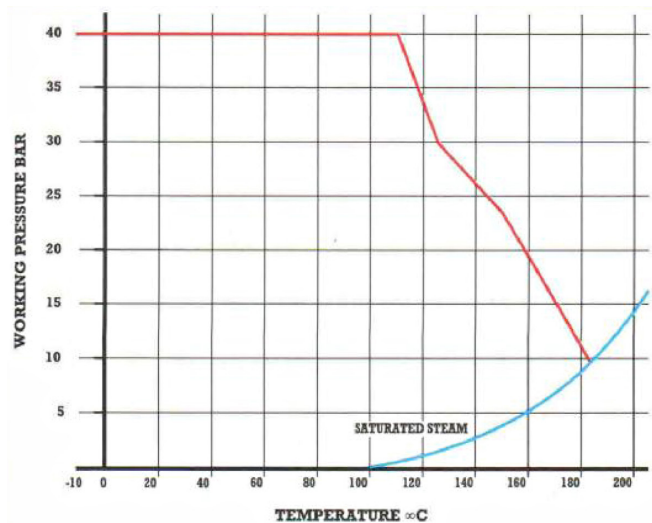


## CERTIFICATION:

- NSF/ANSI Standard 61 & 372 Certified
- cUPC Standard IGC 157 Certified



PRESSURE & TEMPERATURE RATING



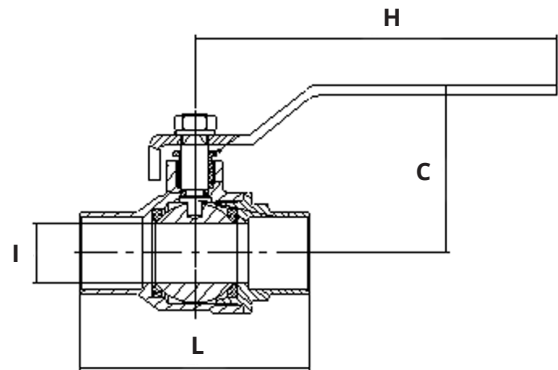
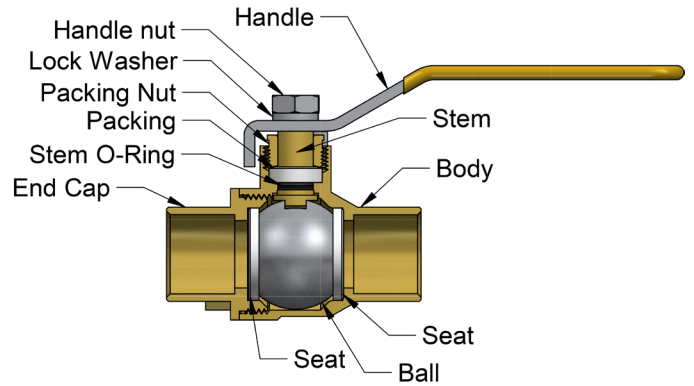
**BOSHART**  
INDUSTRIES

25 Whaley Avenue, PO Box 310, Milverton, ON CANADA N0K 1M0  
Tel: 800-561-3164

[boshart.com](http://boshart.com) ♦ [blog.boshart.com](http://blog.boshart.com)

# 0825CNL SERIES NO LEAD FORGED FULL PORT BRASS BALL VALVE (CxC)

MATERIAL LIST	
Part Name	Material
Body / End Cap	C46500 No Lead Brass
Ball	SS304 Stainless Steel
Seal seat	PTFE
Stem	C37700 Brass
Packing	PTFE
Packing nut	C37700 Brass
Stem O-ring	EPDM
Handle+sleeve	Zinc Plated Steel + PVC
Washer	SS201 Stainless Steel
Handle Nut	SS201 Stainless Steel



DIMENSIONS										
Part No.	Description	I		C		L		H		Weight grams
		inches	mm	inches	mm	inches	mm	inches	mm	
0825C-05NL	1/2 CxC	0.59	14.99	1.78	45.21	2.01	51.05	3.78	96.01	150
0825C-07NL	3/4 CxC	0.79	19.99	2.13	54.10	2.74	69.60	3.98	101.09	260
0825C-10NL	1 CxC	0.98	24.99	2.52	64.01	3.35	85.09	4.41	112.01	470
0825C-12NL	1-1/4 CxC	1.26	32.00	2.65	67.31	3.78	96.01	5.04	128.02	670
0825C-15NL	1-1/2 CxC	1.58	40.01	3.12	79.25	4.42	112.27	6.22	157.99	1070
0825C-20NL	2 CxC	1.97	50.01	3.41	86.61	5.34	135.64	6.22	157.99	1630

**BOSHART**  
INDUSTRIES

25 Whaley Avenue, PO Box 310, Milverton, ON CANADA N0K 1M0  
Tel: 800-561-3164

[boshart.com](http://boshart.com) ♦ [blog.boshart.com](http://blog.boshart.com)