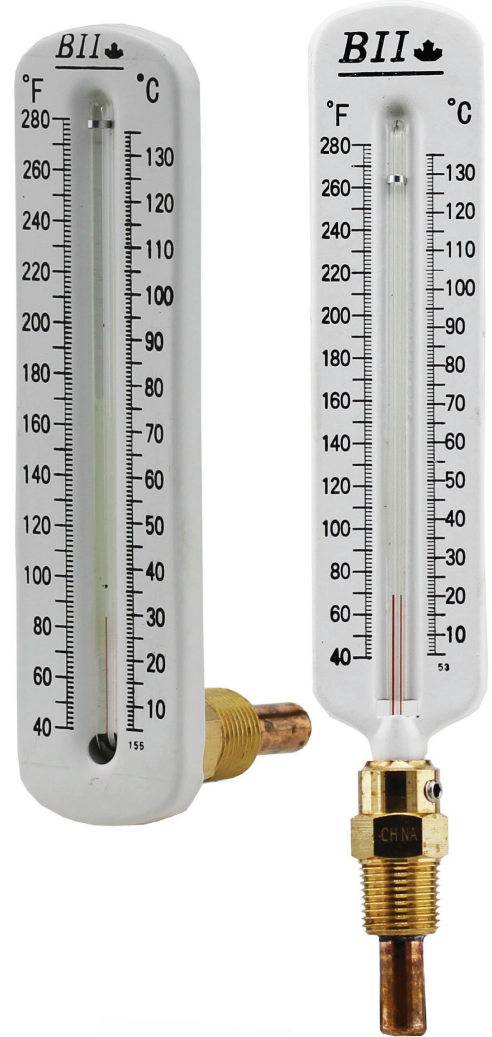


INTRODUCTION TO TRIDICATORS, THERMOWELLS & THERMOMETERS

Tridicators, bi-metal thermometers, thermowells and hot water thermometers are commonly used in hydronic heating, plumbing and industrial systems. Tridicators monitor pressure, temperature and system altitude in boilers and pressurized hot water applications. Bi-metal thermometers provide reliable, direct temperature readings in pipes, tanks and equipment. Thermowells protect temperature instruments from pressure, flow and corrosive media while allowing for easy maintenance. Hot water thermometers are used to measure water temperature in heating and plumbing systems, ensuring safe and efficient operation.



User Responsibility Statement: It is the user's sole responsibility to determine the product's suitability for its intended use. For full details, visit Boshart Industries [Reference Documents](#) for our User Safety Responsibility Statement and other important documents.



25 Whaley Avenue, PO Box 310, Milverton, ON CANADA N0K 1M0
Tel: 800-561-3164

VISIT US ONLINE AT BOSHART.COM



HOT WATER THERMOMETERS

APPLICATIONS:

8" hot water thermometers designed for use in hot water heating systems. It provides a direct reading of the water temperature, helping to monitor system performance and ensure safe, efficient operation.

FEATURES:

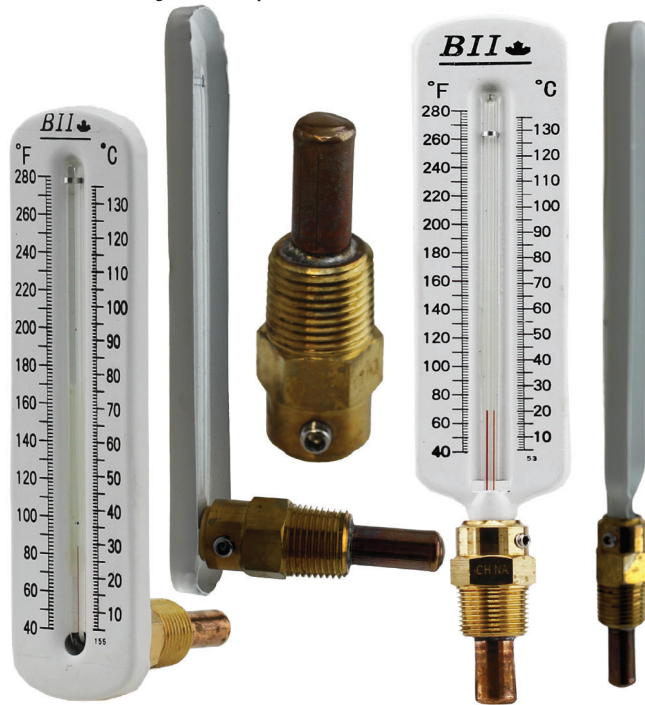
- Red Organic Kerosene Oil
- Removeable Thermowell - Requires 1/8" Allen Key

SPECIFICATIONS:

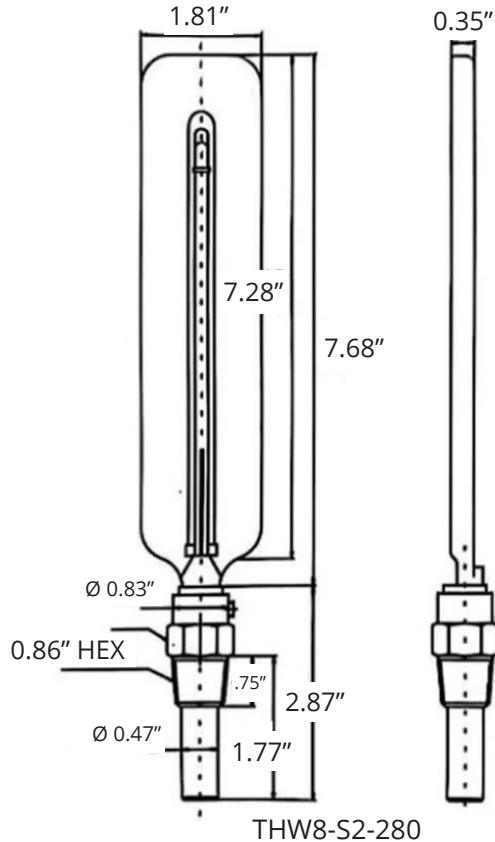
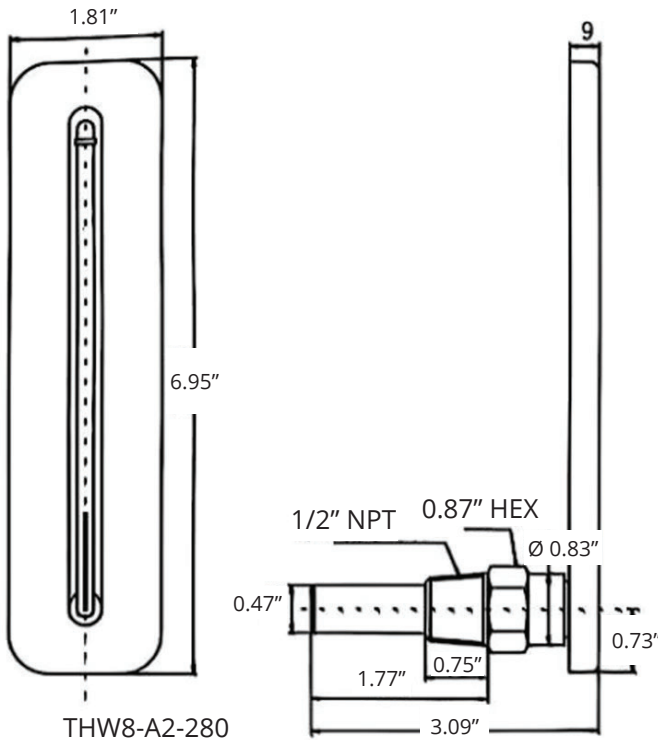
- ANSI/ASME B40.1 Pressure Gauges and Gauge Attachments

RATINGS:

- Maximum Pressure Rating: 87 PSI (600 kPa)
- Maximum Temperature Rating: 40°F - 280°F



SPECIFICATIONS	
Part Name	Material
Dial	2" White Aluminum
Case	Aluminum
Lens	Acrylic
Connection	Brass/Stainless Steel
Element	Coiled Bi-Metal/ Brass
Pointer	Aluminum (Anodized Black)
Welding	Tin Solder



± 2% Accuracy

BOSHART
INDUSTRIES

25 Whaley Avenue, PO Box 310, Milverton, ON CANADA N0K 1M0

Tel: 800-561-3164

VISIT US ONLINE AT BOSHART.COM

For more information on installation, adjustment, repair & operation, visit Boshart Knowledge Base at SUPPORT.BOSHART.COM

