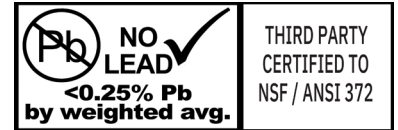


CLASS 150 304 & 316 HEAVY STAINLESS STEEL FITTINGS - MSS SP114

MATERIAL SPECIFICATIONS:

- ASTM A351 Austenitic Steel Castings (Standard Specification for Castings, Austenitic, for Pressure-Containing Parts)



DIMENSIONAL SPECIFICATIONS:

- MSS SP114 Corrosion Resistant Threaded Fittings (Standard Specification for Corrosion Resistant Pipe Fittings Threaded and Socket Welding Class 150 and 1000)

THREAD SPECIFICATIONS:

- ANSI/ASME B1.20.1 Pipe Threads (Standard Specification for Pipe Threads, General Purpose, Inch)

CERTIFICATIONS:

- NSF/ANSI 372 Certified - Stainless steel alloys do not contain any lead, 0.00% Pb (Drinking Water System Components - Lead Content)



MSS SP-114 Pressure-Temperature Ratings for Class 150 304 & 316 Heavy Stainless Steel Pipe Fittings			
Temperature		Non-Shock Maximum Working Pressure	
°C	°F	PSI	bar
-28 to 65	-20 to 150	300	20.6
93	200	265	18.2
121	250	225	15.5
148	300	185	12.8
176	350	150	10.3

Material List		
Name	Percent of Composition	
	304	316
Carbon (C)	0.08 Max	0.08 Max
Manganese (Mn)	1.50 Max	1.50 Max
Silicone (Si)	2.00 Max	1.50 Max
Sulfur (S)	0.040 Max	0.040 Max
Phosphorus (P)	0.040 Max	0.040 Max
Chromium (Cr)	18.0-21.0	18.0-21.0
Nickel (Ni)	8.0-11.0	9.0-12.0
Molybdenum (Mo)	0.50 Max	2.0-3.0

1. Pressure for intermediate temperatures may be determined by interpolation.
 2. Temperatures indicated are the material temperatures of the pressure retaining structure. It is implied that the material temperature is the same as the fluid temperature.



25 Whaley Avenue, PO Box 310, Milverton, ON CANADA N0K 1M0
 Tel: 800-561-3164

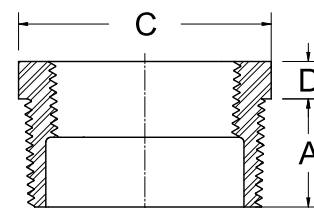
boshart.com ♦ blog.boshart.com

CLASS 150 304 & 316 HEAVY STAINLESS STEEL FITTINGS - MSS SP114

Bushing - MPT x FPT

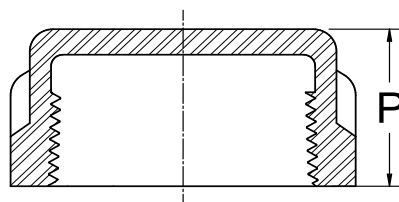
* Octagon Head ϕ 10 Sided Head

304SS	316SS	Size	A		D		C	
			in	mm	in	mm	in	mm
SSH304B-0201	SSH316B-0201	1/4" x 1/8"	0.46	11.7	0.24	6.0	0.63	15.9
SSH304B-0301	SSH316B-0301	3/8" x 1/8"	0.51	13.0	0.24	6.0	0.75	19.1
SSH304B-0302	SSH316B-0302	3/8" x 1/4"	0.51	13.0	0.24	6.0	0.75	19.1
SSH304B-0501-3	SSH316B-0501-3	1/2" x 1/8"	0.59	15.0	0.24	6.0	0.94	24.0
SSH304B-0502	SSH316B-0502	1/2" x 1/4"	0.59	15.0	0.24	6.0	0.94	24.0
SSH304B-0503	SSH316B-0503	1/2" x 3/8"	0.59	15.0	0.24	6.0	0.94	24.0
SSH304B-0701-3	SSH316B-0701-3	3/4" x 1/8"	0.71	18.0	0.31	8.0	1.15	29.2
SSH304B-0702-3	SSH316B-0702-3	3/4" x 1/4"	0.71	18.0	0.31	8.0	1.15	29.2
SSH304B-0703	SSH316B-0703	3/4" x 3/8"	0.71	18.0	0.31	8.0	1.15	29.2
SSH304B-0705	SSH316B-0705	3/4" x 1/2"	0.71	18.0	0.31	8.0	1.15	29.2
SSH304B-1002-3	SSH316B-1002-3	1" x 1/4"	0.75	19.1	0.31	8.0	1.38	34.9
SSH304B-1003-3	SSH316B-1003-3	1" x 3/8"	0.75	19.1	0.31	8.0	1.38	34.9
SSH304B-1005	SSH316B-1005	1" x 1/2"	0.75	19.1	0.31	8.0	1.38	34.9
SSH304B-1007	SSH316B-1007	1" x 3/4"	0.75	19.1	0.31	8.0	1.38	34.9
SSH304B-1202-3	SSH316B-1202-3	1-1/4" x 1/4"	0.81	20.6	0.35	9.0	1.75	44.5
SSH304B-1203-3	SSH316B-1203-3	1-1/4" x 3/8"	0.81	20.6	0.35	9.0	1.75	44.5
SSH304B-1205-3	SSH316B-1205-3	1-1/4" x 1/2"	0.81	20.6	0.35	9.0	1.75	44.5
SSH304B-1207	SSH316B-1207	1-1/4" x 3/4"	0.81	20.6	0.35	9.0	1.75	44.5
SSH304B-1210	SSH316B-1210	1-1/4" x 1"	0.81	20.6	0.35	9.0	1.75	44.5
SSH304B-1505-3	SSH316B-1505-3	1-1/2" x 1/2"	0.81	20.6	0.35	9.0	2.00	50.8
SSH304B-1507-3	SSH316B-1507-3	1-1/2" x 3/4"	0.81	20.6	0.35	9.0	2.00	50.8
SSH304B-1510	SSH316B-1510	1-1/2" x 1"	0.81	20.6	0.35	9.0	2.00	50.8
SSH304B-1512	SSH316B-1512	1-1/2" x 1-1/4"	0.81	20.6	0.35	9.0	2.00	50.8
SSH304B-2005-3	SSH316B-2005-3	2" x 1/2"	1.00	25.4	0.34	8.6	2.50	63.5
SSH304B-2007-3	SSH316B-2007-3	2" x 3/4"	1.00	25.4	0.34	8.6	2.50	63.5
SSH304B-2010-3	SSH316B-2010-3	2" x 1"	1.00	25.4	0.34	8.6	2.50	63.5
SSH304B-2012	SSH316B-2012	2" x 1-1/4"	1.00	25.4	0.34	8.6	2.50	63.5
SSH304B-2015	SSH316B-2015	2" x 1-1/2"	1.00	25.4	0.34	8.6	2.50	63.5
SSH304B-2510-3*	SSH316B-2510-3*	2-1/2" x 1"	1.26	32.0	0.47	12.0	3.07	78.0
SSH304B-2512-3*	SSH316B-2512-3*	2-1/2" x 1-1/4"	1.26	32.0	0.47	12.0	3.07	78.0
SSH304B-2515*	SSH316B-2515*	2-1/2" x 1-1/2"	1.26	32.0	0.47	12.0	3.07	78.0
SSH304B-2520*	SSH316B-2520*	2-1/2" x 2"	1.26	32.0	0.47	12.0	3.07	78.0
SSH304B-3020*	SSH316B-3020*	3" x 2"	1.36	34.5	0.45	11.5	3.62	92.0
SSH304B-3025*	SSH316B-3025*	3" x 2-1/2"	1.36	34.5	0.45	11.5	3.74	95.0
SSH304B-4020-3 ϕ	SSH316B-4020-3 ϕ	4" x 2"	1.50	38.0	0.50	12.7	4.63	117.5
SSH304B-4025-3 ϕ	SSH316B-4025-3 ϕ	4" x 2-1/2"	1.50	38.0	0.50	12.7	4.63	117.5
SSH304B-4030-3 ϕ	SSH316B-4030-3 ϕ	4" x 3"	1.50	38.0	0.50	12.7	4.63	117.5



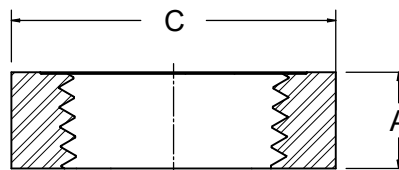
CLASS 150 304 & 316 HEAVY STAINLESS STEEL FITTINGS - MSS SP114

Cap - FPT



304SS	316SS	Size	P	
			in	mm
SSH304CA-01	SSH316CA-01	1/8"	0.68	17.3
SSH304CA-02	SSH316CA-02	1/4"	0.70	17.8
SSH304CA-03	SSH316CA-03	3/8"	0.81	20.6
SSH304CA-05	SSH316CA-05	1/2"	0.93	23.6
SSH304CA-07	SSH316CA-07	3/4"	1.06	26.9
SSH304CA-10	SSH316CA-10	1"	1.31	33.3
SSH304CA-12	SSH316CA-12	1-1/4"	1.62	41.1
SSH304CA-15	SSH316CA-15	1-1/2"	1.62	41.1
SSH304CA-20	SSH316CA-20	2"	1.75	44.5
SSH304CA-25	SSH316CA-25	2-1/2"	2.00	50.8
SSH304CA-30	SSH316CA-30	3"	2.25	57.2
SSH304CA-40	SSH316CA-40	4"	2.50	63.5

Locknut - NPSL

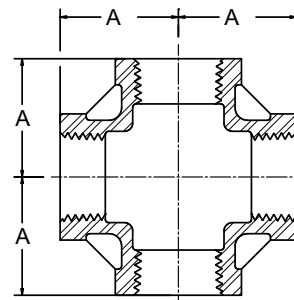


304SS	316SS	Size	A		C	
			in	mm	in	mm
N/A	SSH316LN-01	1/8"	0.19	4.8	0.69	17.5
N/A	SSH316LN-02	1/4"	0.25	6.4	0.84	21.4
SSH304LN-03	SSH316LN-03	3/8"	0.28	7.1	1.00	25.4
SSH304LN-05	SSH316LN-05	1/2"	0.31	7.9	1.18	30.0
SSH304LN-07	SSH316LN-07	3/4"	0.34	8.7	1.44	36.5
SSH304LN-10	SSH316LN-10	1"	0.38	9.5	1.75	44.5
SSH304LN-12	SSH316LN-12	1-1/4"	0.44	11.1	2.09	53.2
SSH304LN-15	SSH316LN-15	1-1/2"	0.47	11.9	2.34	59.5
SSH304LN-20	SSH316LN-20	2"	0.53	13.5	2.88	73.0

CLASS 150 304 & 316 HEAVY STAINLESS STEEL FITTINGS - MSS SP114

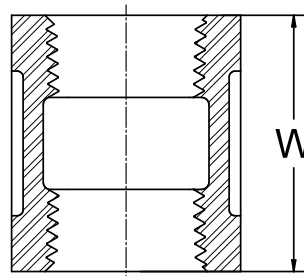
Cross - FPT

304SS	316SS	Size	A	
			in	mm
SSH304CR-05	SSH316CR-05	1/2"	1.12	28.4
SSH304CR-07	SSH316CR-07	3/4"	1.31	33.3
SSH304CR-10	SSH316CR-10	1"	1.50	38.1
SSH304CR-12	SSH316CR-12	1-1/4"	1.75	44.5
SSH304CR-15	SSH316CR-15	1-1/2"	1.93	49.0
SSH304CR-20	SSH316CR-20	2"	2.25	57.2



Coupling - FPT

304SS	316SS	Size	W	
			in	mm
SSH304C-01	SSH316C-01	1/8"	1.00	25.4
SSH304C-02	SSH316C-02	1/4"	1.00	25.4
SSH304C-03	SSH316C-03	3/8"	1.12	28.4
SSH304C-05	SSH316C-05	1/2"	1.38	35.1
SSH304C-07	SSH316C-07	3/4"	1.50	38.1
SSH304C-10	SSH316C-10	1"	1.62	41.1
SSH304C-12	SSH316C-12	1-1/4"	2.00	50.8
SSH304C-15	SSH316C-15	1-1/2"	2.12	53.8
SSH304C-20	SSH316C-20	2"	2.50	63.5
SSH304C-25	SSH316C-25	2-1/2"	2.87	72.9
SSH304C-30	SSH316C-30	3"	3.18	80.8
SSH304C-40	SSH316C-40	4"	3.68	93.5



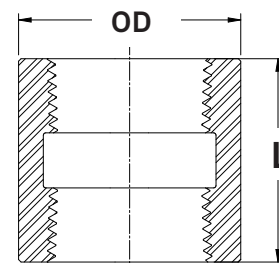
Class 150 Cast Machined Full Coupling - FPT x FPT

These couplings have a machined outside diameter and are supplied with NPT tapered threads for pressure connections. Used in both plumbing and structural applications where banded couplings are not desired, such as hand railings.

They can be used for submersible pump installations up to 400 feet maximum. However, the use of a 28-SSDPC Series Heavy Duty Drop Pipe Coupling is highly recommended for a stronger pipe joint due to their design which provides additional thread engagement and are the choice for the professional pump installer, regardless of pump set depth.



304SS	316SS	Size	W		OD	
			in	mm	in	mm
SSH304MC-05	SSH316MC-05	1/2"	1.38	35.1	1.20	30.5
SSH304MC-07	SSH316MC-07	3/4"	1.50	38.1	1.46	37.1
SSH304MC-10	SSH316MC-10	1"	1.62	41.1	1.77	45.0
SSH304MC-12	SSH316MC-12	1-1/4"	2.00	50.8	2.15	54.6
SSH304MC-15	SSH316MC-15	1-1/2"	2.12	53.8	2.43	61.7
SSH304MC-20	SSH316MC-20	2"	2.50	63.5	2.96	75.2



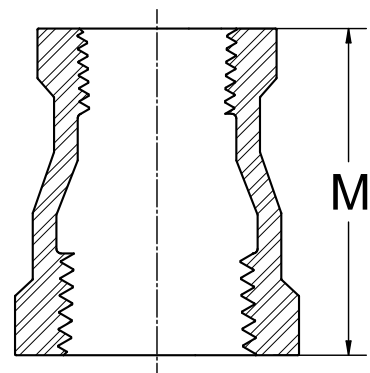
BOSHART
INDUSTRIES

25 Whaley Avenue, PO Box 310, Milverton, ON CANADA N0K 1M0
Tel: 800-561-3164

boshart.com ♦ blog.boshart.com

Reducing Coupling - FPT

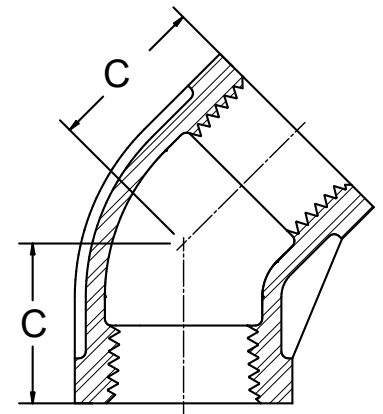
304SS	316SS	Size	M	
			in	mm
SSH304RC-0201	SSH316RC-0201	1/4" x 1/8"	1.00	25.4
SSH304RC-0301	SSH316RC-0301	3/8" x 1/8"	1.12	28.4
SSH304RC-0302	SSH316RC-0302	3/8" x 1/4"	1.12	28.4
SSH304RC-0501-3	SSH316RC-0501-3	1/2" x 1/8"	1.38	35.1
SSH304RC-0502	SSH316RC-0502	1/2" x 1/4"	1.38	35.1
SSH304RC-0503	SSH316RC-0503	1/2" x 3/8"	1.38	35.1
SSH304RC-0702-3	SSH316RC-0702-3	3/4" x 1/4"	1.50	38.1
SSH304RC-0703	SSH316RC-0703	3/4" x 3/8"	1.50	38.1
SSH304RC-0705	SSH316RC-0705	3/4" x 1/2"	1.50	38.1
SSH304RC-1003-3	SSH316RC-1003-3	1" x 3/8"	1.62	41.1
SSH304RC-1005	SSH316RC-1005	1" x 1/2"	1.62	41.1
SSH304RC-1007	SSH316RC-1007	1" x 3/4"	1.62	41.1
SSH304RC-1205-3	SSH316RC-1205-3	1-1/4" x 1/2"	2.00	50.8
SSH304RC-1207	SSH316RC-1207	1-1/4" x 3/4"	2.00	50.8
SSH304RC-1210	SSH316RC-1210	1-1/4" x 1"	2.00	50.8
SSH304RC-1505-3	SSH316RC-1505-3	1-1/2" x 1/2"	2.12	53.8
SSH304RC-1507-3	SSH316RC-1507-3	1-1/2" x 3/4"	2.12	53.8
SSH304RC-1510	SSH316RC-1510	1-1/2" x 1"	2.12	53.8
SSH304RC-1512	SSH316RC-1512	1-1/2" x 1-1/4"	2.12	53.8
SSH304RC-2005-3	SSH316RC-2005-3	2" x 1/2"	2.50	63.5
SSH304RC-2007-3	SSH316RC-2007-3	2" x 3/4"	2.50	63.5
SSH304RC-2010-3	SSH316RC-2010-3	2" x 1"	2.50	63.5
SSH304RC-2012	SSH316RC-2012	2" x 1-1/4"	2.50	63.5
SSH304RC-2015	SSH316RC-2015	2" x 1-1/2"	2.50	63.5
SSH304RC-2515	SSH316RC-2515	2-1/2" x 1-1/2"	3.25	82.6
SSH304RC-2520	SSH316RC-2520	2-1/2" x 2"	3.25	82.6
SSH304RC-3020	SSH316RC-3020	3" x 2"	3.68	93.5
SSH304RC-3025	SSH316RC-3025	3" x 2-1/2"	3.68	93.5
SSH304RC-4020-3	SSH316RC-4020-3	4" x 2"	4.38	111.3
SSH304RC-4025	SSH316RC-4025	4" x 2-1/2"	4.38	111.3
SSH304RC-4030	SSH316RC-4030	4" x 3"	4.38	111.3



CLASS 150 304 & 316 HEAVY STAINLESS STEEL FITTINGS - MSS SP114

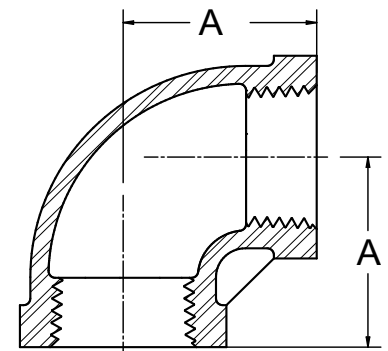
45° Elbow - FPT

304SS	316SS	Size	C	
			in	mm
SSH304E4-01	SSH316E4-01	1/8"	0.69	17.5
SSH304E4-02	SSH316E4-02	1/4"	0.69	17.5
SSH304E4-03	SSH316E4-03	3/8"	0.81	20.6
SSH304E4-05	SSH316E4-05	1/2"	0.87	22.1
SSH304E4-07	SSH316E4-07	3/4"	1.00	25.4
SSH304E4-10	SSH316E4-10	1"	1.12	28.4
SSH304E4-12	SSH316E4-12	1-1/4"	1.31	33.3
SSH304E4-15	SSH316E4-15	1-1/2"	1.43	36.3
SSH304E4-20	SSH316E4-20	2"	1.68	42.7
SSH304E4-25	SSH316E4-25	2-1/2"	1.93	49.0
SSH304E4-30	SSH316E4-30	3"	2.18	55.4
SSH304E4-40	SSH316E4-40	4"	2.62	66.5



90° Elbow - FPT

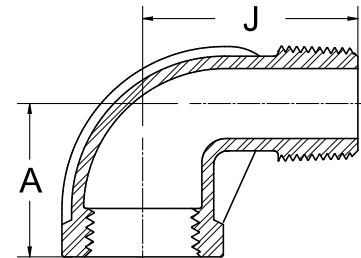
304SS	316SS	Size	A	
			in	mm
SSH304E-01	SSH316E-01	1/8"	0.81	20.6
SSH304E-02	SSH316E-02	1/4"	0.81	20.6
SSH304E-03	SSH316E-03	3/8"	0.93	23.6
SSH304E-05	SSH316E-05	1/2"	1.12	28.4
SSH304E-07	SSH316E-07	3/4"	1.31	33.3
SSH304E-10	SSH316E-10	1"	1.50	38.1
SSH304E-12	SSH316E-12	1-1/4"	1.75	44.5
SSH304E-15	SSH316E-15	1-1/2"	1.93	49.0
SSH304E-20	SSH316E-20	2"	2.25	57.2
SSH304E-25	SSH316E-25	2-1/2"	2.68	68.1
SSH304E-30	SSH316E-30	3"	3.06	77.7
SSH304E-40	SSH316E-40	4"	3.81	96.8



CLASS 150 304 & 316 HEAVY STAINLESS STEEL FITTINGS - MSS SP114

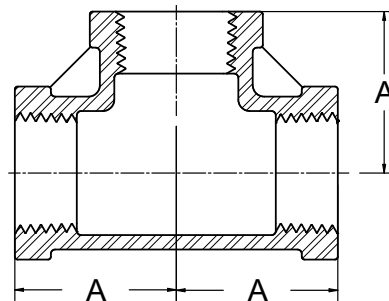
90° Street Elbow - MPT x FPT

304SS	316SS	Size	A		J	
			in	mm	in	mm
SSH304SE-01	SSH316SE-01	1/8"	0.81	20.6	1.06	26.9
SSH304SE-02	SSH316SE-02	1/4"	0.81	20.6	1.18	30.0
SSH304SE-03	SSH316SE-03	3/8"	0.93	23.6	1.43	36.3
SSH304SE-05	SSH316SE-05	1/2"	1.12	28.4	1.62	41.1
SSH304SE-07	SSH316SE-07	3/4"	1.31	33.3	1.87	47.5
SSH304SE-10	SSH316SE-10	1"	1.50	38.1	2.12	53.8
SSH304SE-12	SSH316SE-12	1-1/4"	1.75	44.5	2.50	63.5
SSH304SE-15	SSH316SE-15	1-1/2"	1.93	49.0	2.75	69.9
SSH304SE-20	SSH316SE-20	2"	2.25	57.2	3.25	82.6
SSH304SE-25	SSH316SE-25	2-1/2"	2.68	68.1	3.87	98.3
SSH304SE-30	SSH316SE-30	3"	3.06	77.7	4.50	114.3
SSH304SE-40	SSH316SE-40	4"	3.81	96.8	5.68	144.3



Tee - FPT

304SS	316SS	Size	A	
			in	mm
SSH304T-01	SSH316T-01	1/8"	0.81	20.6
SSH304T-02	SSH316T-02	1/4"	0.81	20.6
SSH304T-03	SSH316T-03	3/8"	0.93	23.6
SSH304T-05	SSH316T-05	1/2"	1.12	28.4
SSH304T-07	SSH316T-07	3/4"	1.31	33.3
SSH304T-10	SSH316T-10	1"	1.50	38.1
SSH304T-12	SSH316T-12	1-1/4"	1.75	44.5
SSH304T-15	SSH316T-15	1-1/2"	1.93	49.0
SSH304T-20	SSH316T-20	2"	2.25	57.2
SSH304T-25	SSH316T-25	2-1/2"	2.68	68.1
SSH304T-30	SSH316T-30	3"	3.06	77.7
SSH304T-40	SSH316T-40	4"	3.81	96.8

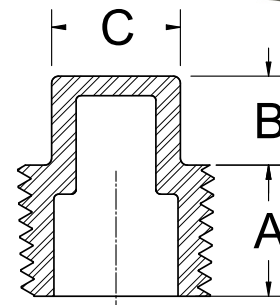


CLASS 150 304 & 316 HEAVY STAINLESS STEEL FITTINGS - MSS SP114

Plug - MPT

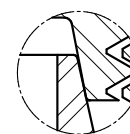
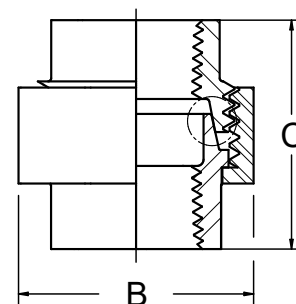
Cored

304SS	316SS	Size	A		B		C	
			in	mm	in	mm	in	mm
SSH304P-01	SSH316P-01	1/8"	0.37	9.4	0.24	6.1	0.28	7.1
SSH304P-02	SSH316P-02	1/4"	0.44	11.2	0.28	7.1	0.38	9.5
SSH304P-03	SSH316P-03	3/8"	0.48	12.2	0.31	7.9	0.44	11.1
SSH304P-05	SSH316P-05	1/2"	0.56	14.2	0.38	9.7	0.56	14.3
SSH304P-07	SSH316P-07	3/4"	0.63	16.0	0.44	11.2	0.63	15.9
SSH304P-10	SSH316P-10	1"	0.75	19.1	0.50	12.7	0.81	20.6
SSH304P-12	SSH316P-12	1-1/4"	0.8	20.3	0.56	14.2	0.94	23.8
SSH304P-15	SSH316P-15	1-1/2"	0.83	21.1	0.62	15.7	1.13	28.6
SSH304P-20	SSH316P-20	2"	0.88	22.4	0.68	17.3	1.31	33.3
SSH304P-25	SSH316P-25	2-1/2"	1.07	27.2	0.74	18.8	1.50	38.1
SSH304P-30	SSH316P-30	3"	1.13	28.7	0.80	20.3	1.69	42.9
SSH304P-40	SSH316P-40	4"	1.22	31.0	0.96	24.4	2.20	63.5



Union - FPT

304SS	316SS	Size	B		C	
			in	mm	in	mm
SSH304U-01	SSH316U-01	1/8"	0.93	23.6	1.26	32.0
SSH304U-02	SSH316U-02	1/4"	1.10	27.9	1.44	36.6
SSH304U-03	SSH316U-03	3/8"	1.26	32.0	1.50	38.1
SSH304U-05	SSH316U-05	1/2"	1.45	36.8	1.72	43.7
SSH304U-07	SSH316U-07	3/4"	1.71	43.4	1.94	49.3
SSH304U-10	SSH316U-10	1"	2.07	52.6	2.00	50.8
SSH304U-12	SSH316U-12	1-1/4"	2.50	63.5	2.26	57.4
SSH304U-15	SSH316U-15	1-1/2"	2.82	71.6	2.41	61.2
SSH304U-20	SSH316U-20	2"	3.41	86.6	2.75	69.9
SSH304U-25	SSH316U-25	2-1/2"	4.12	104.6	3.22	81.8
SSH304U-30	SSH316U-30	3"	4.75	120.7	3.50	88.9
SSH304U-40	SSH316U-40	4"	6.00	152.4	3.85	97.8



DETAIL

Metal to metal sealing

For more information on installation, adjustment, repair & operation, visit Boshart Knowledge Base at

SUPPORT.BOSHART.COM



BOSHART
INDUSTRIES

25 Whaley Avenue, PO Box 310, Milverton, ON CANADA N0K 1M0
Tel: 800-561-3164

boshart.com ♦ blog.boshart.com