

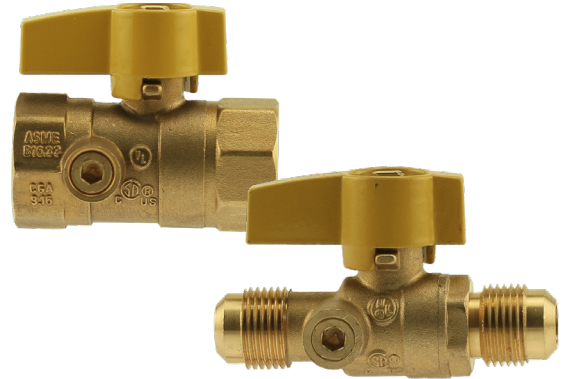
0832(5)TP SERIES FORGED BRASS GAS VALVE WITH PILOT TAP

SPECIFICATION:

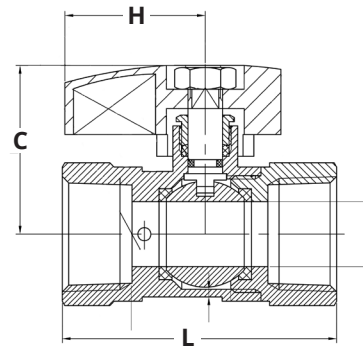
- Threads conform to ANSI / ASME B1.20.1
- 45° Flare ends conform to SAE J512
- Max Pressure Rating: 250 PSI
- Working temperature: -4° to 149°F (-20° to 65°C)
- Two piece Forged Brass Body
- Solid ball
- Blow-out proof stem
- Yellow cast handle
- Side tapped 1/8" FPT for connection to manometer
- Comes complete with a brass plug

CERTIFICATION:

- CSA listed to the following standards
ANSI Z21.15 & CGA 9.1: 1/2 psig (1/2 PSI)
ASME B16.44 & CGA/CR91-002: 5 psig (5G)
- CRN Registered



MATERIAL LIST	
Part Name	Material
Body	Brass
Seat	PTFE
Ball	Chrome Plated Brass
O-Ring	NBR Rubber
Packing Nut	Brass
Stem	Brass
Handle Nut	Plated Steel
Packing	PTFE
Handle	Aluminum
Cap	Brass
Screw	Brass



DIMENSIONS										
Part No.	Description	I		L		H		C		Weight grams
		inches	mm	inches	mm	inches	mm	inches	mm	
0832TP-05	1/2"FPT x 1/2"FPT	0.39	10.00	2.22	56.50	1.28	32.50	1.44	36.50	171
0832TP-07	3/4"FPT x 3/4"FPT	0.59	15.00	2.50	63.50	1.28	32.50	1.54	39.00	246
0835TP-03	3/8"FL x 3/8"FL	0.27	6.80	2.44	62.00	1.28	32.50	1.44	36.50	145
0835TP-05	1/2"FL x 1/2"FL	0.38	9.60	9.45	68.50	5.22	32.50	4.72	36.50	175

BOSHART
INDUSTRIES

25 Whaley Avenue, PO Box 310, Milverton, ON CANADA N0K 1M0
Tel: 800-561-3164

boshart.com ♦ blog.boshart.com